

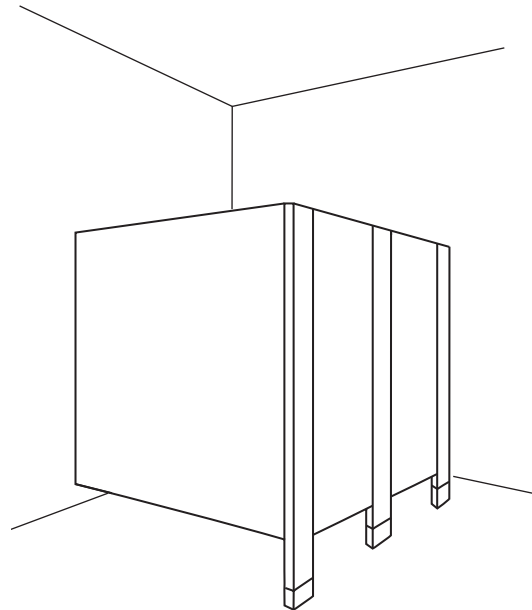
# INSTALLATION INSTRUCTIONS

# MAXIMUM PRIVACY

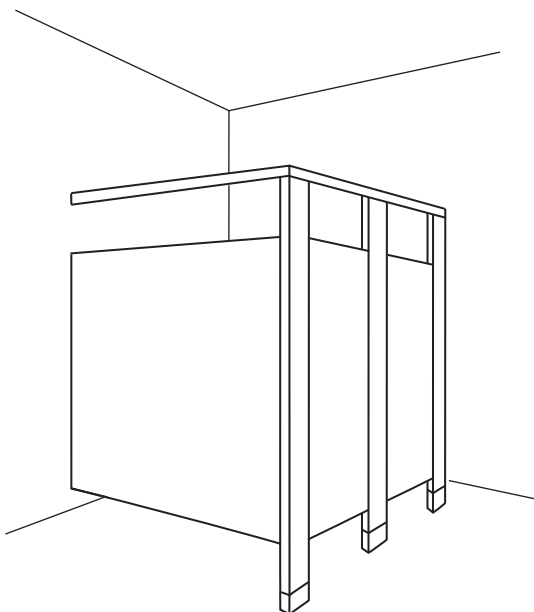
SOLID COLOR REINFORCED COMPOSITE (SCRC)  
TOILET PARTITIONS

2090 SierraSeries  
Includes Institutional Hardware Option .67

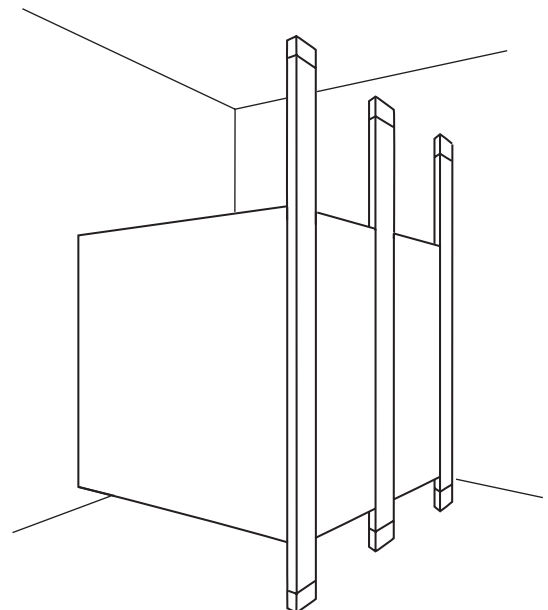
Floor Anchored



Overhead Braced



Floor-To-Ceiling Anchored



**IMPORTANT: Storage and Handling Information on last page.  
Review these instructions thoroughly prior to installation.**

# PREPARATION

## INSTALLATION STEPS

Lay Out All Anchor Locations.....	Page 5
Install Floor Anchors.....	Page 6
Install Ceiling Anchors.....	Page 7
Rough Level Floor Anchor .....	Page 8
Brackets and Screws.....	Page 9 & 10
Install Wall Brackets.....	Page 11 & 12
Install Stile Nearest Wall.....	Page 13 & 14
Install Stile Brackets For Perpendicular Panels.....	Page 15 & 16
Install Stile Brackets For Inline Panels .....	Page 17
Position Panels.....	Page 18 & 19
Install Adjacent Stile .....	Page 20 & 21
Install Additional Compartment(s).....	Page 22 & 23
Install Stiles & Set Door Openings.....	Page 24
Install Headrail (if applicable).....	Page 25
Install Doors .....	Page 26 - 28
Install Latches and Keepers .....	Page 29
Install Wall Mounted Keeper (if applicable).....	Page 30
Install Occupancy Latch & Keeper (if applicable).....	Page 31 & 32
Install Shoes .....	Page 33
Finishing and Cleanup.....	Page 34

## IMPORTANT NOTES


1. Verify receipt of appropriate hardware by cross-referencing against hardware list. Organize hardware necessary to install each component.
2. Walls and floors in buildings are **not** level. For quality installation, plumb brackets and components in all three dimensions using a plumb-bob or level prior to marking, drilling or installing.
3. To reduce stile leveling necessary, rough level floor anchors before installing stiles (See **Step 3**).
4. Structural support in walls and floors is **not** furnished by Bobrick. Confirm adequate backing is present in wall and floors prior to installation.
5. This installation booklet must be used in conjunction with the Bobrick Layout Sheets. Use panel-to-stile offsets indicated on the Layout Sheets.
6. When calculating distances to centerlines, stiles and doors are 3/4" (19mm) thick; panels are 1/2" (13mm) thick.
7. Doors are **not** pre-drilled for robe hooks. Robe Hooks sold separately.
8. Stiles are **not** pre-drilled for keepers (to allow easier stile leveling and greater field adjustment).
9. Remove debris from all drilled holes.
10. Through-drill all holes through Solid Color Reinforced Composite (SCRC) material.

## 11. RECOMMENDED HOLE SIZES:

- **Through-Drilled Hole** - 17/64" (6.7mm). To attach all through-bolted brackets, latch keepers and robe hooks to panels or stiles.
- **Pilot Hole - 3/16" (4.7mm)**. To attach all non-through-bolted brackets to panels or stiles. **Note:** Drill completely through material. Do **not** drill through brackets.
- **Pilot Hole - #19 (.166") x 2"**. To attach all wall brackets to stud backing. Drill holes perpendicular to material. **Note:** Do **not** drill holes or attach screws to material at an angle. To avoid stripping material, tighten #1002499 Sheet Metal Screws with moderate drill speed and medium torque setting (~15).

## RECOMMENDED TOOLS

**Caution:** Be sure to use proper safety gear.

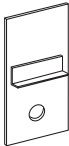
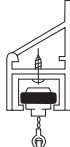
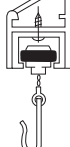

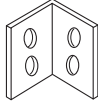

1.  Chalk Line
2.  Self Leveling Laser Device
3.  Pliers
4.  Tape Measure and Pencils
5.  Electric and/or Battery-Powered Drill
6.  Drill Bits  
#19 (.166")  
3/16" (4.7mm)  
17/64" (6.7mm)  
3/8" (9.5mm) for Concrete/Masonry  
7/16" (11mm)
7.  Screwdrivers/Screwdriver Bits flathead and Phillips, #2 and #3
8.  Pin-Head Torx Screw Driver Supplied by Bobrick
9.  Hex Driver Shank Extension
10.  Shims
11.  Adjustable Supports 1-1/2" to 12" (40-105mm)
12.  Level
13.  Wrench - Adjustable 9/16" (14mm) Open End (Two required for adjusting hex nuts on anchors)
14.  Allen Wrench - 5/64" (2mm) Supplied by Bobrick.
15.  Hack Saw or Miter Saw
16.  Hammer
17.  Safety Glasses

# HARDWARE PARTS LIST



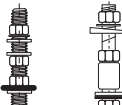

## MOUNTING SCREWS

-  #1002499 Sheet Metal Screw - 7/16", #12 x 7/16"  
Pin-in-Head Torx screw to attach mounting brackets-to-panels and headrail-to-stiles
-  #1002664 Button Head Screw - 3/8", #10-24 x 3/8"  
Pin-in-Head Torx screw to attach to sex-bolt fastener through 1/2" panel
-  #1002665 Button Head Screw - 5/8", #10-24 x 5/8"  
Pin-in-Head Torx screw to attach to sex-bolt fastener through 3/4" stiles/doors
-  #1002666 Sex Bolt - 1/4" Diameter, 1/2" Barrel  
#10-24 (4.8mm) Pin-in-Head Torx fastener for all through-bolted locations
-  #1002495 Wall Screw - 2", #12 x 2"  
Pin-in-Head Torx screw for attaching wall brackets to stud backing
-  #1000077 Flat Head Latch Screw - 1/4-20 x 1"  
Phillip screw for attaching Latch Track to brass inserts in door
-  #1002491 Machine Screw - 1/2", 1/4-20 x 1/2"  
Pin-in-Head Torx screw for attaching Hinges and optional Door Stops to brass inserts in door

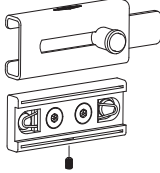

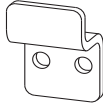
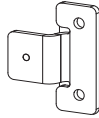


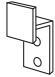
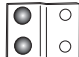
## HEADRAIL HARDWARE

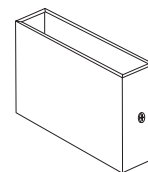
-  #1000978 Headrail End Cap
-  #1002385 84" Headrail
-  #1000345 120" Headrail
-  #1000375 Curtain Track
-  #1000862 Curtain Carrier Packet  
(7 hooks and screws included)
-  #1000927 Headrail Bracket

## STILE HARDWARE

-  #1002189 Shoe Retainer Screw
-  #1002185 Shoe Retainer Clip
-  #1002701 Floor Anchor Packet
-  #1000803 Ceiling Anchor Packet

## DOOR HARDWARE

-  #1040-42 Latch Packet  
(contains: Latch Track, Latch Cover, Setscrew and Flathead Latch screws)
-  #1000900 Allen Wrench - 5/64" (2mm)  
Allen Wrench for Setscrew to secure Latch Cover to Latch Track (for #1040-42 Latch Packet)
-  #1040-35 Inswing Keeper  
Keeper for inswing doors latching to inline stiles
-  #1040-36 Outswing Keeper  
Keeper for outswing doors latching to inline stiles
-  #1040-39 Inswing Perpendicular Keeper  
Keeper for inswing and outswing doors latching to perpendicular stiles and walls
-  #1000312 Door Handle Packet  
(Contains: Door Handle and Mounting Screws)
-  #1000869 Clothes Hook
-  #1002510 Door Stop (Optional)

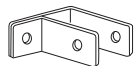


### Replacement Shoe Guide

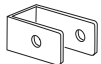
Stile Width	Bobrick Part Number
3" (76mm)	1002175
4" (102mm)	1002176
5" (127mm)	1002184
6" (152mm)	1002177
7" (178mm)	1002197
8" (203mm)	1002178
10" (254mm)	1002179
12" (305mm)	1002180
16" (406mm)	1002181
18" (457mm)	1002196
20" (508mm)	1002182
24" (610mm)	1002183

## HEAVY-DUTY HARDWARE PARTS LIST

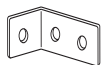
### MOUNTING BRACKETS



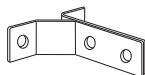
#1000975 F-Bracket  
Bracket to attach 1/2" panel to perpendicular wall



#1000972 U-Bracket  
Bracket to attach 1/2" panel to perpendicular 3/4" stile



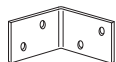
#1000351 L-Bracket  
Bracket to attach external 1/2" panel to perpendicular 3/4" stile



#1000974 Y-Bracket  
Bracket to attach 3/4" stile to perpendicular wall



#1000282 Alcove Bracket  
Bracket to attach 1/2" panel to inline 3/4" stile



#1002322 45° Angle Bracket  
Bracket to attach panels/stiles/walls at non-90° angles

### HINGE HARDWARE



#1002331 J-Hinge Packet



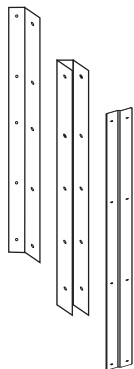
#1002156 Hinge Cam



#1002330 L-Hinge Packet

## INSTITUTIONAL HARDWARE PARTS LIST

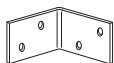
### MOUNTING BRACKETS



#1002387 Angle Bracket  
Bracket to attach 1/2" panel to perpendicular wall

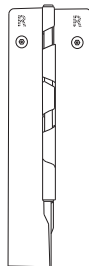
#1002388 U-Channel  
Bracket to attach 1/2" panel to perpendicular 3/4" stile

#2080-76 Z-Bracket  
Bracket to attach 1/2" panel to inline 3/4" stile

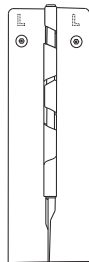


#1002322 45° Angle Bracket  
Bracket to attach panels/stiles/walls at non-90° angles

### HINGE HARDWARE



#1002924 Piano Hinge  
Full-height piano hinge for Left-hand Inswing or Right-hand Outswing doors



#1002925 Piano Hinge  
Full-height piano hinge for Left-hand Outswing or Right-hand Inswing doors

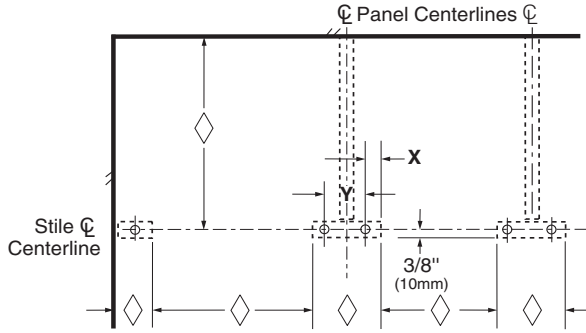
# STEP 1 LAY OUT ALL ANCHOR LOCATIONS

- A. Refer to Bobrick layout sheets for component locations on your specific application.
- B. From back wall, measure and mark the location of the stile centerline. Stile centerline = 3/8" (10mm) + panel length + gaps specified on layout sheets.
- C. From side wall at centerline of stile, measure dimensions for floor or ceiling anchors according to layout sheet. Refer to drilling table below for center-to-center distances between anchors. Centerline of floor anchor from edge of stile is 5/8" (16mm); dimension on 3" (76mm) stile is 1 1/2" (38mm).

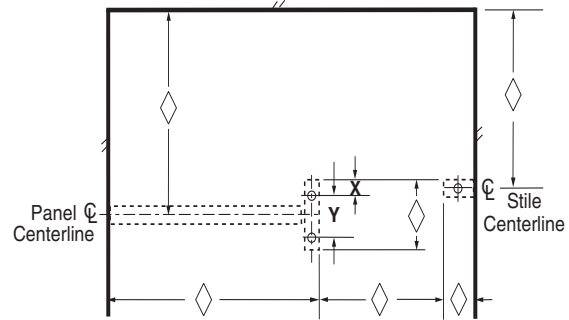
## LAYOUT EXAMPLES.

**LEGEND:** ◊ Obtain Dimension from Bobrick Layout Sheet.

**Fig. 1a: Floor-Anchored Front-Entry Corner Layout.**

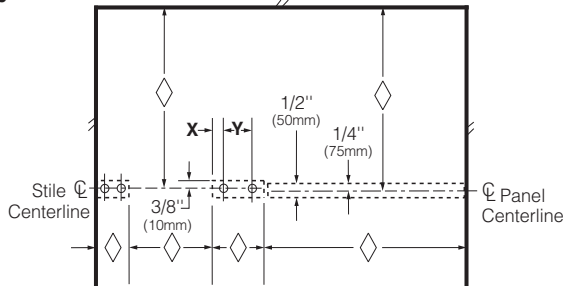


**Fig. 1c: Floor-Anchored Alcove Closed Layout.**



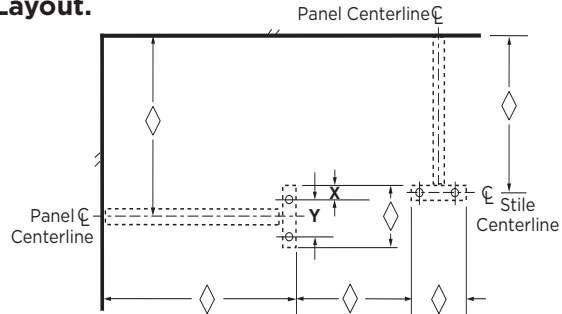
**Note:** The center stile is perpendicular to panel.

**Fig. 1b: Overhead-Braced Alcove Closed Layout.**



**Note:** The stiles are in-line with panel.

**Fig. 1d: Floor-Anchored Alcove Open Layout.**

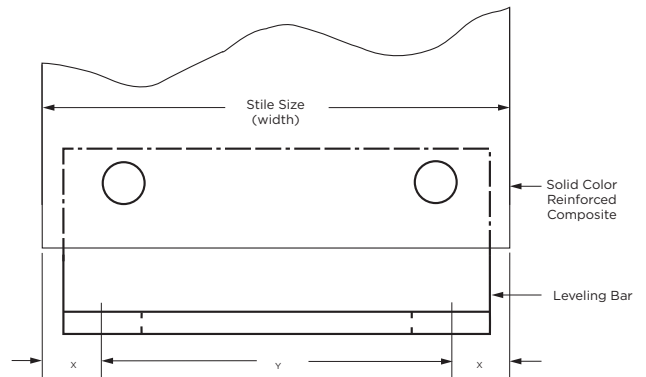


**Note:** The center stile is perpendicular to panel.

## DRILLING TABLE FOR DRILLING FLOOR OR CEILING ANCHORS

Stile Size (width)	Number of Holes	X Dimension	Y Dimension
3" (76mm)	1	1 1/2" (38mm)	—
4" (102mm)	2	5/8" (16mm)	2 3/4" (70mm)
5" (127mm)	2	5/8" (16mm)	3 3/4" (95mm)
6" (152mm)	2	5/8" (16mm)	4 3/4" (121mm)
7" (178mm)	2	5/8" (16mm)	5 3/4" (146mm)
8" (203mm)	2	5/8" (16mm)	6 3/4" (171mm)
10" (254mm)	2	5/8" (16mm)	8 3/4" (222mm)
12" (305mm)	2	5/8" (16mm)	10 3/4" (273mm)
16" (406mm)	2	5/8" (16mm)	14 3/4" (375mm)
18" (457mm)	2	5/8" (16mm)	16 3/4" (425mm)
20" (508mm)	2	5/8" (16mm)	18 3/4" (476mm)
24" (610mm)	2	5/8" (16mm)	22 3/4" (578mm)

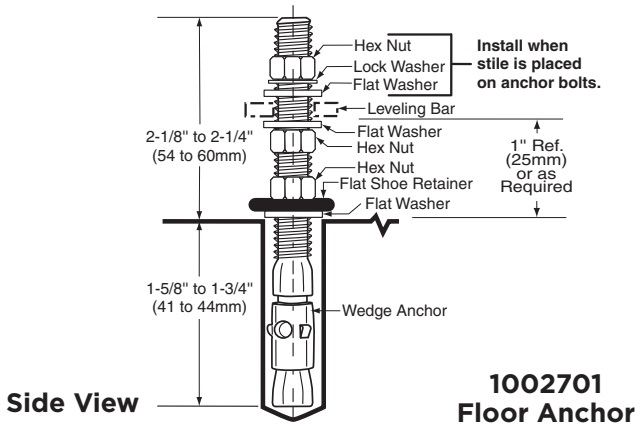
**Fig. 1e: Detail of Typical Stile**



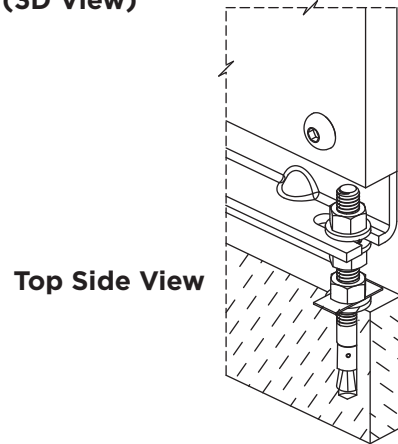
**Note:** 16", 18", 20", 24" (406, 457, 508, 610mm) stiles have two leveling bars. Use the two outside slots for the two anchors.

## STEP 2 INSTALL FLOOR ANCHORS

**Fig. 2a: Finished Detail of Floor Anchor**



**Fig. 2b: Floor Anchor Attached to Stile. (3D View)**



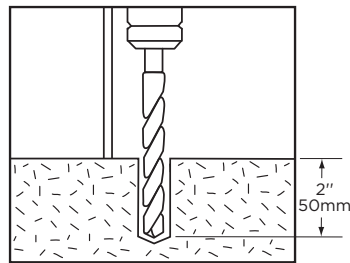
**Parts Needed:**

- #1002701 Floor Anchor Packet (includes: 3 Hex Nuts, 3 Flat Washers, Wedge Anchor, Lock Washer, Flat Shoe Retainer)

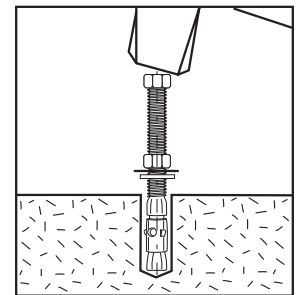
**Hints/Notes:**

- 3/8" x 2" (M9.5 x 50mm) hole needed to install #1002701 Floor Anchor. Use concrete/masonry drill bit.

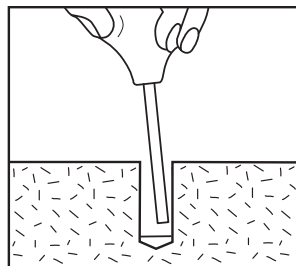
- A. Drill a 3/8" (9.5mm) hole to 2" (50mm) minimum depth.



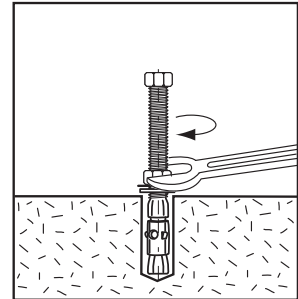
- D. Insert Anchor into hole with threaded end up. Use hammer to drive the Anchor into hole until Flat Washer is flush with concrete surface (depth set in **Step 2c**).



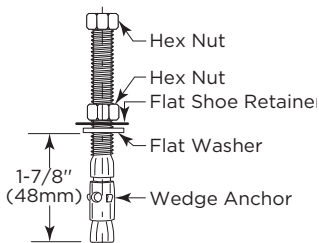
- B. Remove all loose material/debris from hole.



- E. Use Wrench to tighten Hex Nut until anchor is firmly set (2-4 full turns past finger tight position). Anchor bolt will move up approximately 1/16" (1.6mm) for every full turn of Hex Nut.

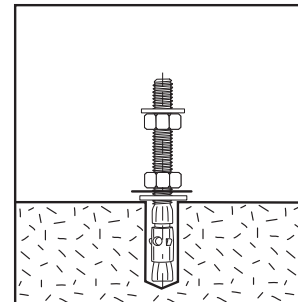


- C. Add Flat Washer, Flat Shoe Retainer, Hex Nut to Wedge Anchor so that Flat Washer is 1 7/8" (48mm) from the bottom of the anchor to ensure proper installation depth. Thread second Hex Nut loosely to top of Anchor to prevent stripping or damaging threads during installation.



- F. Spin down top Hex Nut. Add Flat Washer.

**Note:** Do not add third Hex Nut, Lock Washer, and third Flat Washer until stiles are attached to Floor Anchor.



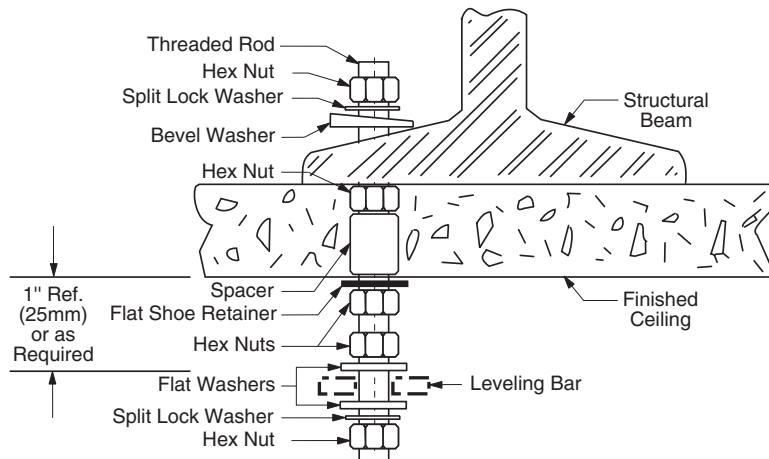
## STEP 2 INSTALL CEILING ANCHORS

### Ceiling Anchors.

**Note:** Ceiling anchors are to be installed before finished ceiling is applied. All structural framing is to be furnished by others. For Bobrick recommendations, refer to Bobrick Form No. TB-32.

- A. Drill 7/16" (11mm) diameter hole through structural beam. Insert threaded rod through hole in beam. Rod is furnished standard 6" (150mm) length. Longer rods should be purchased locally if required.
- B. Drop a bevel washer and lock washer over rod. Screw on one hex nut.
- C. Install second hex nut against bottom of beam and tighten.
- D. Install spacer, shoe retainer, and a third hex nut. Make sure shoe retainer is in proper position to accept shoe (see **Fig. 2b** or **2c** for proper shoe retainer position).
- E. Install remaining flat washers (2), lock washer (1), and hex nuts (2), as shown in **Fig. 2c**.
- F. Repeat process for each ceiling anchor.

**Fig. 2c: Detail of Ceiling Anchor.**



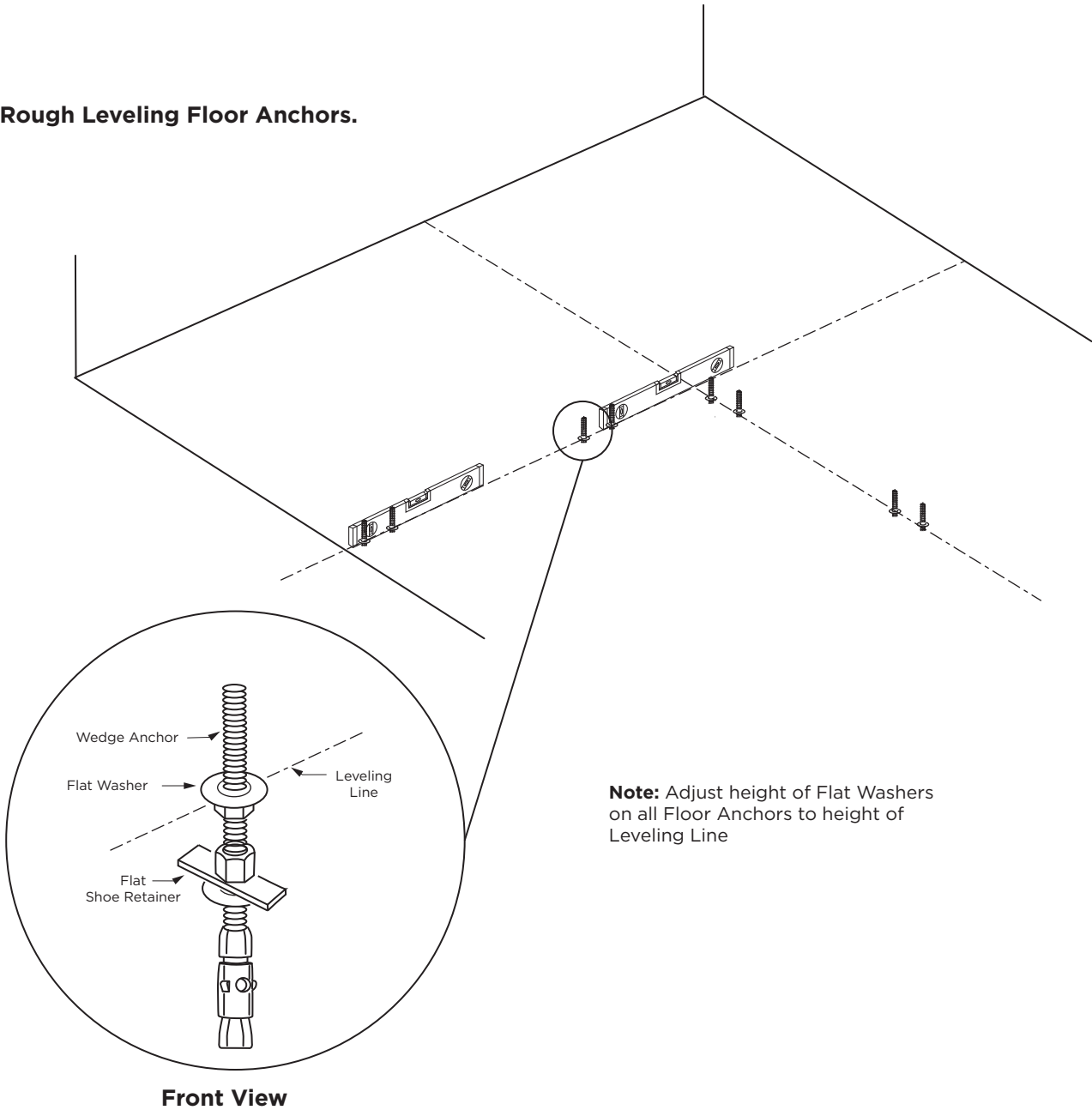
## STEP 3 ROUGH LEVEL FLOOR ANCHOR

- A. Place level on the Flat Washers of the two Floor Anchors installed nearest wall (See **Step 2f**).
- B. Tighten/loosen second Hex Nut on one of the Floor Anchors until the two Flat Washers are level.
- C. Repeat rough leveling procedure for all Floor Anchors in room.

### Hints/Notes:

- To quickly level a long bank of toilet partitions, attach string to the Floor Anchors located at each end of the room and level the string. Screw/unscrew Hex Nuts to set Flat Washers (See **Step 2f**) on all Floor Anchors to the height of the string.

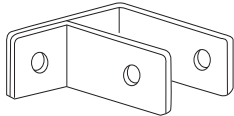
**Fig. 3a: Rough Leveling Floor Anchors.**





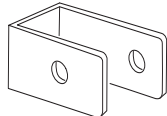
# BRACKETS AND SCREWS

## F-bracket



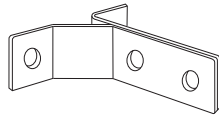
#1000975  
Internal Panel to Wall

## U-bracket



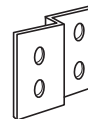
#1000972  
Internal Panel to Stile

## Y-bracket



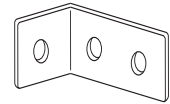
#1000974  
External Panel or Stile  
to Wall or Panel

## Alcove bracket



#1000282  
Panel-in-line with Stile

## L-bracket



#1000351  
External Panel to Stile



#1002499 Sheet Metal Screw - 7/16", #12 x 7/16"  
Pin-in-Head Torx screw to attach mounting  
brackets-to-panels and headrail-to-stiles



#1002665 Button Head Screw - 5/8", #10-24 x 5/8"  
Pin-in-Head Torx screw to attach to sex-bolt  
fastener through 3/4" stiles/doors



#1002664 Button Head Screw - 3/8", #10-24 x 3/8"  
Pin-in-Head Torx screw to attach to sex-bolt  
fastener through 1/2" panel



#1002666 Sex Bolt - 1/4" Diameter, 1/2" Barrel  
#10-24 (4.8mm) Pin-in-Head Torx fastener for all  
through-bolted locations



#1002495 #12 x 2" - Pin-in-Head Torx Screw (M5.5 x  
50mm) Wall Screw

### Pilot Hole Sizes

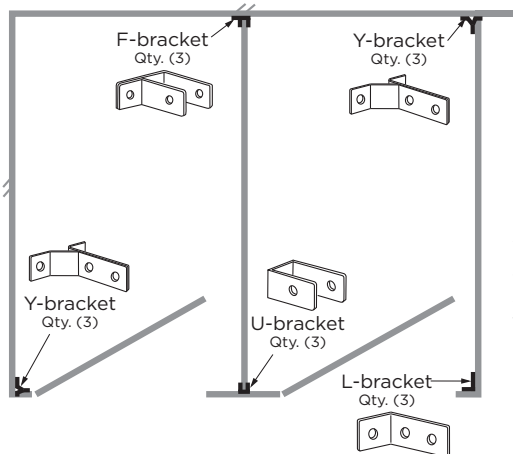
- 3/16" x 7/16" (4.7 x 11mm)  
For attachment of brackets to panels and stiles.
- #19 (.166) x 2" (50mm)  
For attachment of all wall brackets to stud backing.

### Hints/Notes:

- Adequate wall backing is required. High-quality drill bit is suggested for drilling into material.

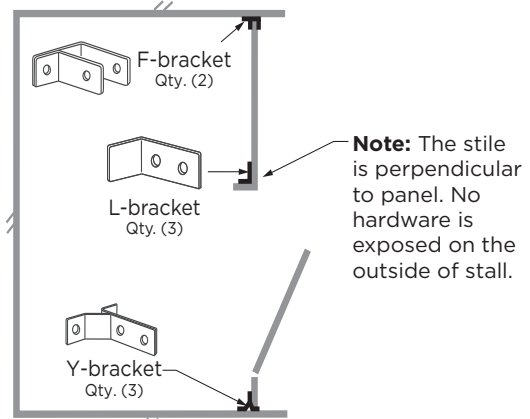
## Example Bracket Applications.

### Front-Entry Corner Layout.



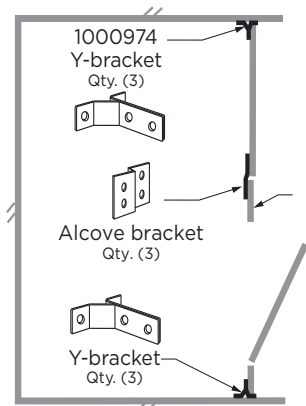
**Note:** U- and F-brackets are used on internal panels only, where there is an adjoining stall to conceal the hardware.

### Floor-Anchored Alcove Closed Layout.



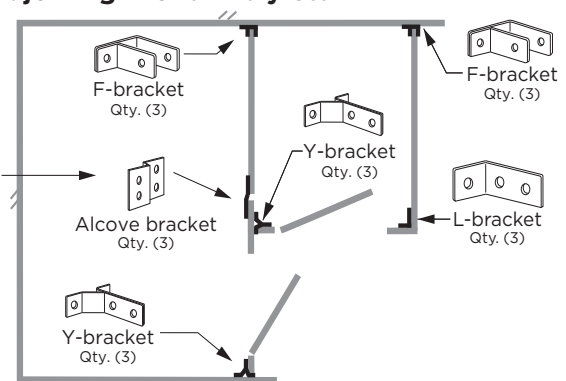
**Note:** The stile is perpendicular to panel. No hardware is exposed on the outside of stall.

### Overhead-Braced Alcove Closed Layout.



**Note:** The stile is in-line with panel. No hardware is exposed on the outside of stall.

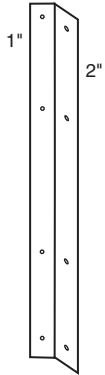
### Overhead-Braced Alcove Open Layout and Adjoining Front-Entry Stall.



**Note:** #1002664 Button-Head Screw 3/8" is used to secure #1002666 Sex Bolt on the panel side of #1000282 Alcove Bracket.

# BRACKETS AND SCREWS

## Angle Bracket



#1002387  
2 each for:  
Stile-to-Wall  
Panel-to-Wall

## Z-Bracket



#2080-76  
Panel In-Line with Stile

## U-Channel Bracket



#1002388  
Panel-to-Stile  
Panel-to-Wall (optional)



#1002499 Sheet Metal Screw - 7/16", #12 x 7/16"  
Pin-in-Head Torx screw to attach mounting brackets-to-panels and headrail-to-stiles



#1002664 Button Head Screw - 3/8", #10-24 x 3/8"  
Pin-in-Head Torx screw to attach to sex-bolt fastener through 1/2" panel



#1002665 Button Head Screw - 5/8", #10-24 x 5/8"  
Pin-in-Head Torx screw to attach to sex-bolt fastener through 3/4" stiles/doors



#1002666 Sex Bolt - 1/4" Diameter, 1/2" Barrel  
#10-24 (4.8mm) Pin-in-Head Torx fastener for all through-bolted locations



#1002495 #12 x 2" - Pin-in-Head Torx Screw (M5.5 x 50mm) Wall Screw

INSTITUTIONAL HARDWARE

### Pilot Hole Sizes:

• 3/16" x 7/16" (4.7 x 11mm)

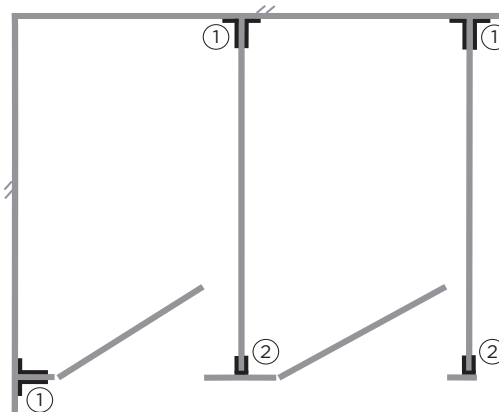
• #19 (.166) x 2" (50mm)

**Note:** Adequate wall backing is required. High-quality drill bit is suggested for drilling into material.

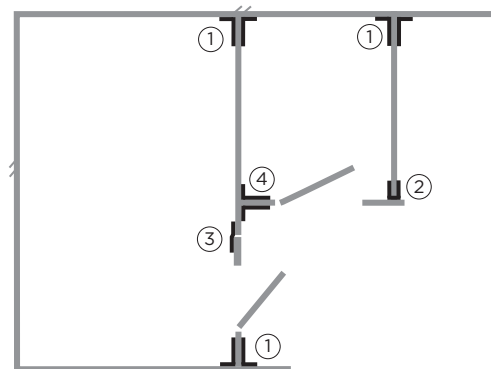
### Example Bracket Applications.

1. 2 — 1002387 Angle Bracket  
10 — 1002495 Wall Screw  
10 — 1002499 Panel/Stile Screw
2. 1 — 1002388 U-Channel Bracket  
10 — 1002499 Panel Screw  
5 — 1002665 Button Head Screw 5/8"  
5 — 1002666 Sex Bolt
3. 1 — 2080-76 Z-Bracket  
10 — 1002666 Sex Bolt  
5 — 1002665 Button Head Screw 5/8"  
5 — 1002664 Button Head Screw 3/8"
4. 2 — 1002387 Angle Bracket  
10 — 1002499 Stile/Panel Screw  
10 — 1002666 Sex Bolt  
5 — 1002665 Button Head Screw 5/8"  
5 — 1002664 Button Head Screw 3/8"

### Front-Entry Corner Layout.



### Alcove Closed Layout and Adjoining Front-Entry Stall.



**Note:** #1002664 Button-Head Screw 3/8" is used to secure #1002666 Sex Bolt on the panel side of the Panel Mounting Brackets.

## STEP 4 INSTALL WALL BRACKETS

- Use tape measure and level to plumb, measure and mark centerlines of all stiles and panels on walls.
- Using the #1000975 F-Bracket and #1000974 Y-Bracket as templates, measure and mark the location of all bracket mounting according to the floor clearance dimension table and dimensions shown in illustration **Fig. 4a**.
- Drill #19 (.166") x 2" pilot hole into stud backing or use other anchors appropriate for wall construction (not furnished by Bobrick).
- Secure wall brackets to wall with #1002495 Wall Screws using the T27 Driver and Hex Driver Shank Extension attached to drill.

### Parts Needed:

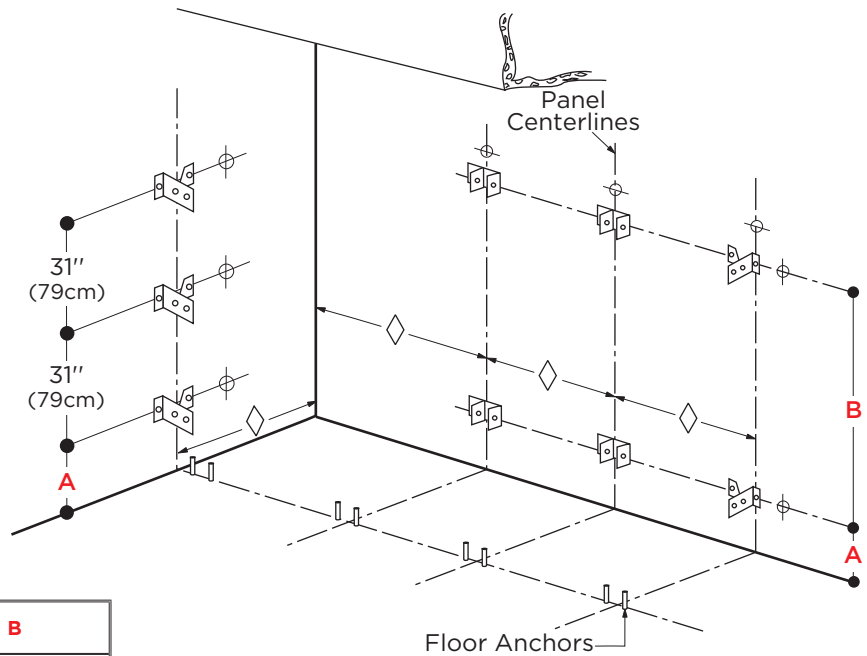
- #1000975 F-Brackets
- #1000974 Y-Brackets
- #1002495 Wall Screws - 2"

### Hints/Notes:

- #19 (.166") x 2" pilot hole needed to fasten wall brackets to stud backing using #1002495 Wall Screws.
- Mount Bracket for Stiles at specified location to avoid interference with hardware.

**Fig. 4a: Bracket Mounting Heights for Closed Alcove with Adjoining Front-Entry Stall Layout.**

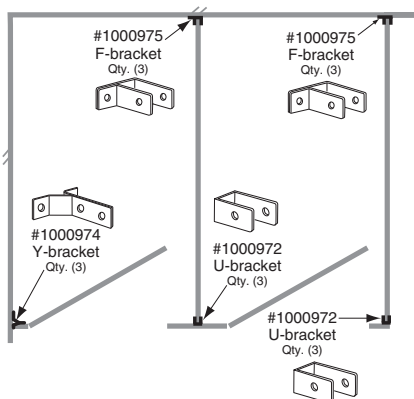
**Note:** Panel centerline is not always on stile centerline. Refer to Bobrick Layout Sheets for panel offsets.



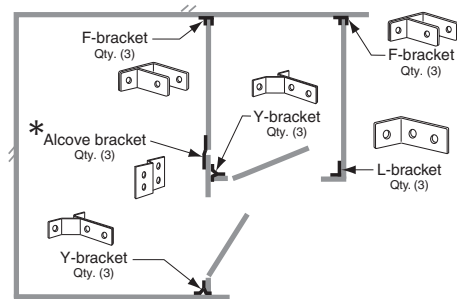
Floor Clearance (FC)	A	B
4-1/2" (11cm) AFF	8" (20cm)	64" (163cm)
9" (23cm) AFF	12-1/2" (32cm)	76-1/2" (194cm)
12" (30cm) AFF	15-1/2" (39cm)	79-1/2" (202cm)

- ⊕ These mounting points require wall backing
- ◇ Obtain dimension from Bobrick Layout Sheet

**Fig. 4b: Mounting Brackets for Front-Entry Corner Layout - Top View**



**Fig. 4c: Mounting Brackets for Closed Alcove with Adjoining Front-Entry Stall - Top View**



\* **Note:** #1002664 Button-Head Screw - 3/8" is used to secure #1002666 Sex Bolt on panel side of #1000282 Alcove Bracket.

## STEP 4 INSTALL WALL BRACKETS

- Measure and mark the locations of centerlines for all the stiles and panels on walls. Identify the floor clearance shown on the Bobrick Layout Sheet for "C" dimension shown in the table below.
- Using the wall brackets as templates, place bracket "C" dimension above finished floor. Measure and mark the location of all mounting holes plumb, 3/4" (19mm) from panel center line; 7/8" (22mm) from stile centerline. (See **Fig. 4a** and **Fig. 4b**).

**NOTE: Orient bracket so hole pattern is staggered**

- Use #19 (.166) drill bit for 2" (50mm) deep pilot holes into adequate wall backing.
- Secure wall brackets with #1002495 screws.

### Parts Needed:

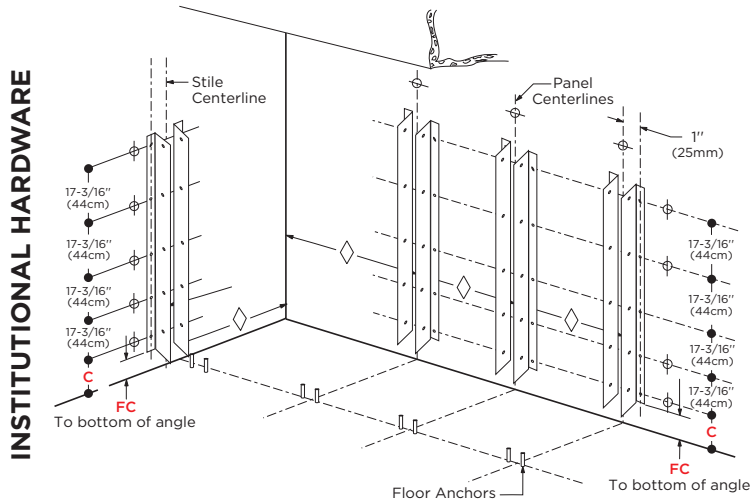
- #1002387 Angle Brackets
- #1002495 Wall Screws - 2"

### Hints/Notes:

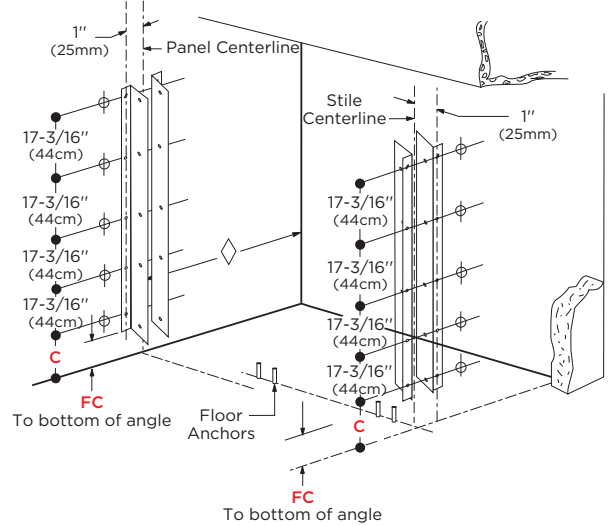
- #19 (.166") x 2" pilot hole needed to fasten wall brackets to stud backing using #1002495 Wall Screws.

**Caution:** Panel centerline is not always on the stile centerline. Refer to Bobrick Layout Sheets for panel offsets.

**Fig. 4a: Front-Entry Corner Layout**



**Fig. 4b: Overhead-Braced or Floor-to-Ceiling Anchored Alcove Closed Layout.**



- ⊕ These mounting points require wall backing
- ◇ Obtain dimension from Bobrick Layout Sheet

Floor Clearance (FC)	C
4-1/2" (11cm) AFF	5-3/8" (14cm)
9" (23cm) AFF	9-7/8" (25cm)
12" (30cm) AFF	12-7/8" (33cm)

## STEP 5 INSTALL STILE NEAREST WALL

- Place stile leveling bar on top of second Flat Washer of Floor Anchor(s).
- Level stile vertically. Use contractor's pencil to mark hole locations on stile (using the #1000974 Y-Brackets installed on wall as a template).
- Remove stile and drill 17/64" (6.7mm) hole through stile at locations marked in **Step 5b**.
- Again place stile leveling bar on top of second Flat Washer of Floor Anchor(s).
- Place #1002666 Sex Bolt in the drilled hole on the exterior side of stile.
- Secure Sex Bolts to Y-Brackets with #1002665 Button Head Screws - 5/8" using drill equipped with T27 Driver.
- Add Flat Washer, Lock Washer and Hex Nut to Floor Anchor above stile leveling bar.
- Tighten Hex Nuts above/below leveling bar with wrench.

### Parts Needed:

- Stile connecting to wall
- Remaining components of #1002701 Floor Anchor (i.e., Flat Washer, Lock Washer, and Hex Nut)
- #1002665 Button Head Screw - 5/8"
- #1002666 Sex Bolt - 1/4" diameter, 1/2" barrel
- #1002245 Wall Post Packet

### Hints/Notes:

- 17/64" (6.7mm) through-drilled hole needed to through-bolt brackets-to-stiles with #1002666 Sex Bolts.

Fig. 5a: Installing Stile Nearest Wall.

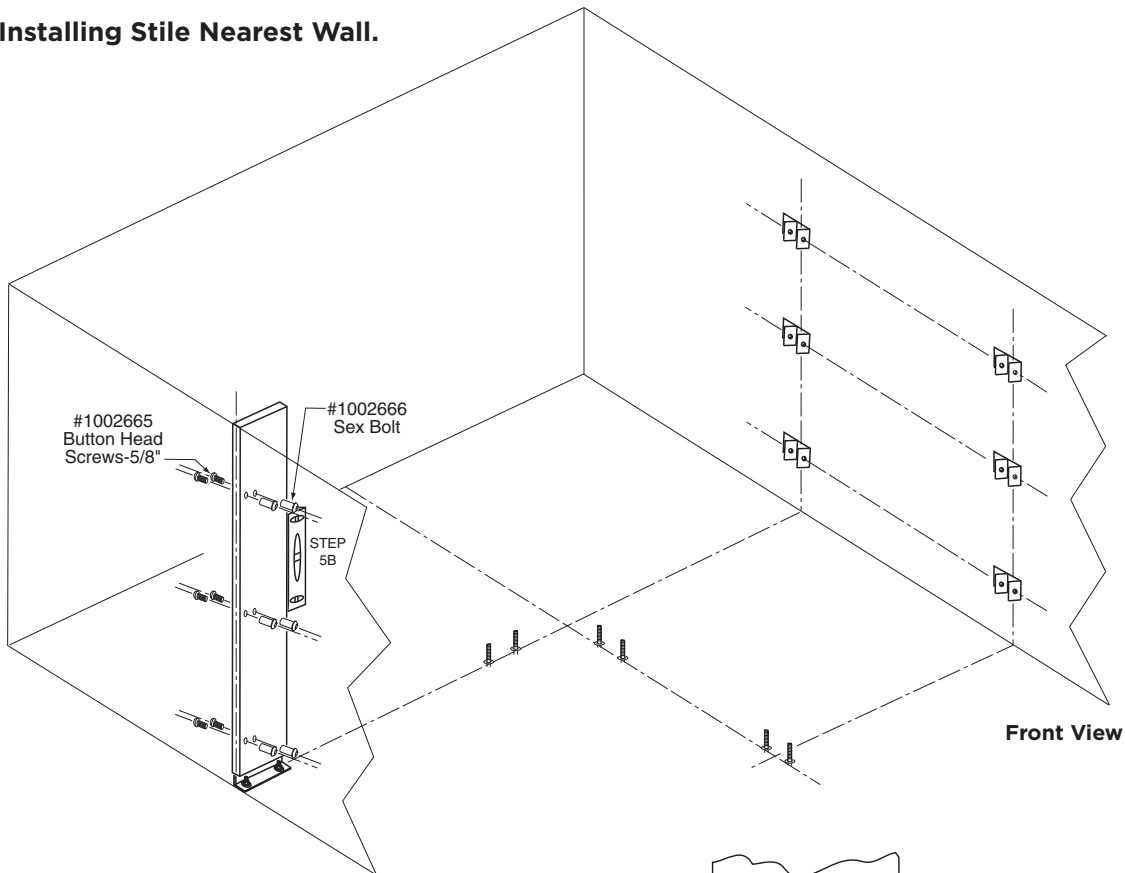
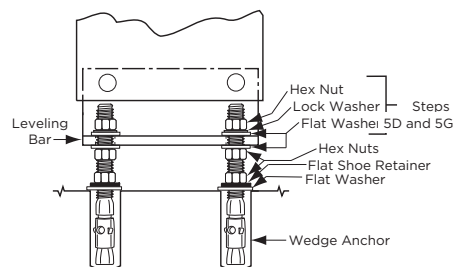


Fig. 5b: Stile Secured to Floor Anchor.



## STEP 5 INSTALL STILE NEAREST WALL

- A. Place stile leveling bar on top of second Flat Washer of Floor Anchor(s).
- B. Level stile vertically. Use contractor's pencil to mark hole locations on stile (using the #1002387 Angle Brackets installed on wall as templates).
- C. Remove stile and drill 3/16" (4.7mm) holes through stile at locations marked in **Step 5b**.
- D. Again place stile leveling bar on top of second Flat Washer of Floor Anchor(s).
- E. Secure Angle Brackets with #1002499 Sheet Metal Screws - using drill equipped with T27 Driver.
- F. Add Flat Washer, Lock Washer and Hex Nut to Floor Anchor above stile leveling bar.
- G. Tighten Hex Nuts above/below leveling bar with wrench.

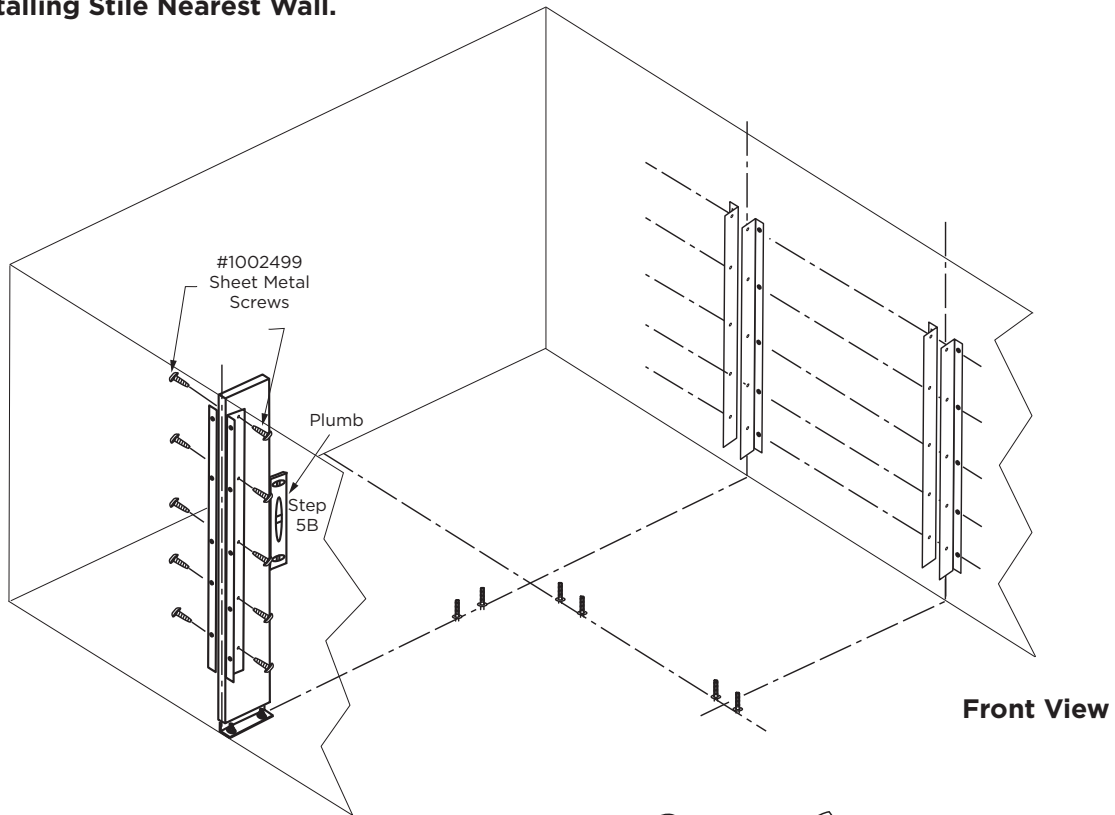
### Parts Needed:

- Stile connecting to wall
- Remaining components of #1002701 Floor Anchor (i.e., Flat Washer, Lock Washer, and Hex Nut)
- #1002665 Button Head Screw - 5/8"
- #1002666 Sex Bolt - 1/4" diameter, 1/2" barrel

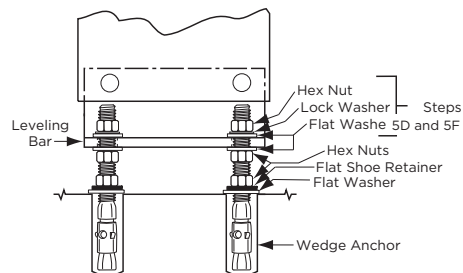
### Hints/Notes:

- 3/16" (4.7mm) pilot hole size is needed to fasten brackets-to-stiles using #1002499 Sheet Metal Screws.

**Fig. 5a: Installing Stile Nearest Wall.**



**Fig. 5b: Stile Secured to Floor Anchor.**



## STEP 6 INSTALL STILE BRACKETS FOR PERPENDICULAR PANELS

- Locate appropriate stile on Layout Drawings.
- Before drilling holes for brackets, confirm correct: 1) width of stile and 2) hinge drilling pattern on stile with Layout Sheets. First determine the exterior side of stile and then mark interior face for bracket hole locations.

For **Outswing** doors, brass inserts on stile should be located on the **Outside** of compartment.  
 For **Inswing** doors, brass inserts on stile should be located on the **Inside** of compartment.

- Using #1000972 U-Bracket or #1000351 L-bracket as a template, mark the location of all mounting holes, according to the floor clearance dimension table and dimensions shown in illustrations **Fig. 6a** and **Fig. 6b**.
- Use drill equipped with high quality 17/64" (6.7mm) bit to drill a hole through stile at the marked locations.
- Place #1002666 Sex Bolt - 1/4" diameter, 1/2" barrel in the hole on the exterior side of stile.
- Secure U-Bracket to Sex Bolt with #1002665 Button Head Screw - 5/8" using drill equipped with T27 Driver and Hex Driver Shank Extension.
- Repeat above steps for all stiles mounting to perpendicular panels.

### Parts Needed:

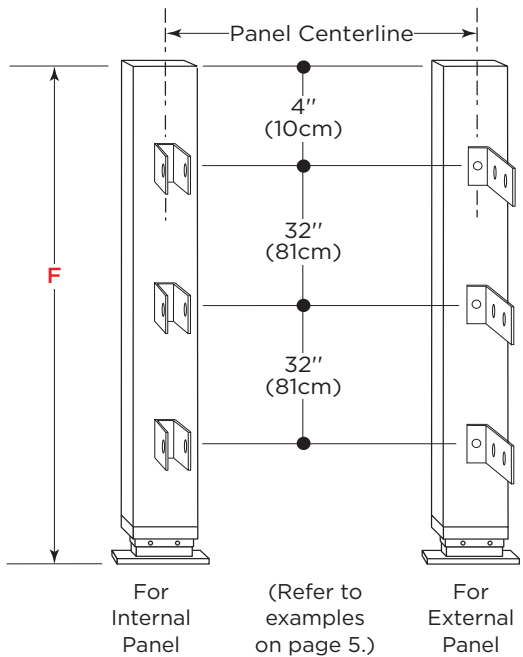
- Layout Sheets
- #1002664 Button Head Screw - 3/8"
- #1002665 Button Head Screw - 5/8"
- #1002666 Sex Bolt - 1/4" diameter, 1/2" barrel
- #1000972 U-Bracket
- #1000351 L-Bracket
- #1000282 Alcove Bracket

### Hints/Notes:

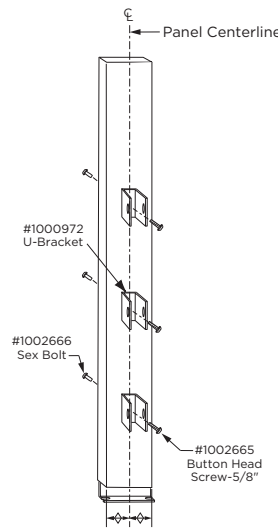
- 17/64" (6.7mm) through-drilled hole needed to through-bolt brackets-to-stiles using #1002665 Button Head Screw and #1002666 Sex Bolts.

◇ Obtain dimension from Bobrick Layout Sheet

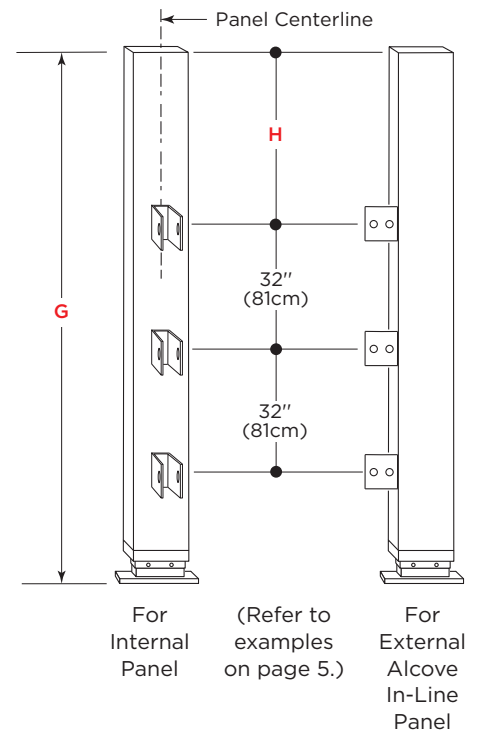
**Fig. 6a: Floor-Anchored Stiles**



**Inside View**



**Fig. 6b: Overhead-Braced Stiles.**



Floor Clearance (FC)	<b>F</b>	<b>G</b>	<b>H</b>
4-1/2" (11cm) AFF	75-1/4" (191cm)	83" (211cm)	12" (30cm)
9" (23cm) AFF	79-3/4" (203cm)	83" (211cm)	7-1/2" (19cm)
12" (30cm) AFF	82-3/4" (210cm)	84-3/4" (215cm)	4-1/2" (11cm)

## STEP 6

## INSTALL STILE BRACKETS FOR PERPENDICULAR PANELS

- A. Locate appropriate stile on Layout Drawings.
- B. Before drilling holes for brackets, confirm correct: 1) width of stile and 2) hinge drilling pattern on stile with Layout Sheets. First determine the exterior side of stile and then mark interior face for bracket hole locations.
  - For **Outswing** doors, brass inserts on stile should be located on the **Outside** of compartment.
  - For **Inswing** doors, brass inserts on stile should be located on the **Inside** of compartment.
- C. Using #1002388 U-Channel as a template, mark the location of all mounting holes, according to the floor clearance dimension table and dimensions shown in illustrations **Fig. 6a**.
- D. Use drill equipped with high quality 17/64" (6.7mm) bit to drill a hole through stile at the marked locations marked in **Step 6c**.
- E. Place #1002666 Sex Bolt - 1/4" diameter, 1/2" barrel in the hole on the exterior side of stile.
- F. Secure U-Channel to Sex Bolt with #1002665 Button Head Screw - 5/8" using drill equipped with T27 Driver and Hex Driver Shank Extension.
- G. Repeat above steps for all stiles mounting to perpendicular panels.

### Parts Needed:

- Layout Drawings
- #1002664 Button Head Screw - 3/8"
- #1002665 Button Head Screw - 5/8"
- #1002666 Sex Bolt - 1/4" diameter, 1/2" barrel
- #1002388 U-Channel
- #2080-76 Z-Bracket

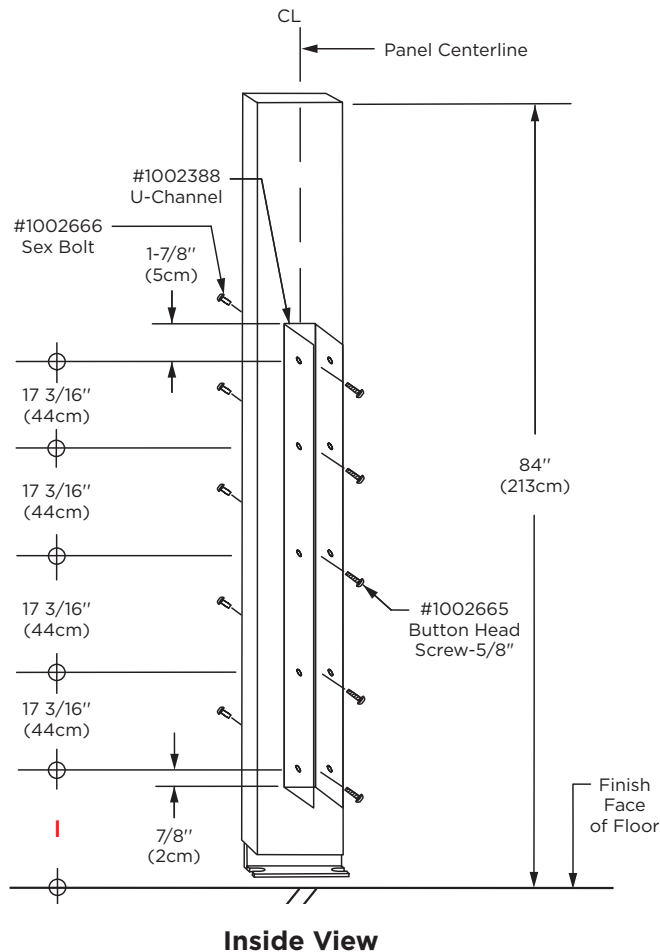
### Hints/Notes:

- 17/64" (6.7mm) through-drilled hole needed to through-bolt brackets-to-stiles using #1002665 Button Head Screw and #1002666 Sex Bolts.

INSTITUTIONAL HARDWARE

**Fig. 6a: Overhead-Braced Stiles**

Floor Clearance (FC)	I
4-1/2" (11cm) AFF	5-1/2" (14cm)
9" (23cm) AFF	10" (25cm)
12" (30cm) AFF	13" (33cm)





## STEP 6 INSTALL STILE BRACKETS FOR INLINE PANELS

- Using the #2080-76 Z-Bracket as a template, measure and mark the centerlines of the holes for the Z-Bracket at the heights shown in Fig. 6b.
- Use drill equipped with high quality 17/64" (6.7mm) bit to drill holes through stile at the marked locations in STEP 6A.
- Place #1002666 Sex Bolt - 1/4" diameter, 1/2" barrel in the hole on the exterior side of stile/panel.
- Secure Strip Bracket to Sex Bolt on stile side of bracket with #1002665 Button Head Screw - 5/8" using drill with T27 Driver and Hex Driver Shank Extension.

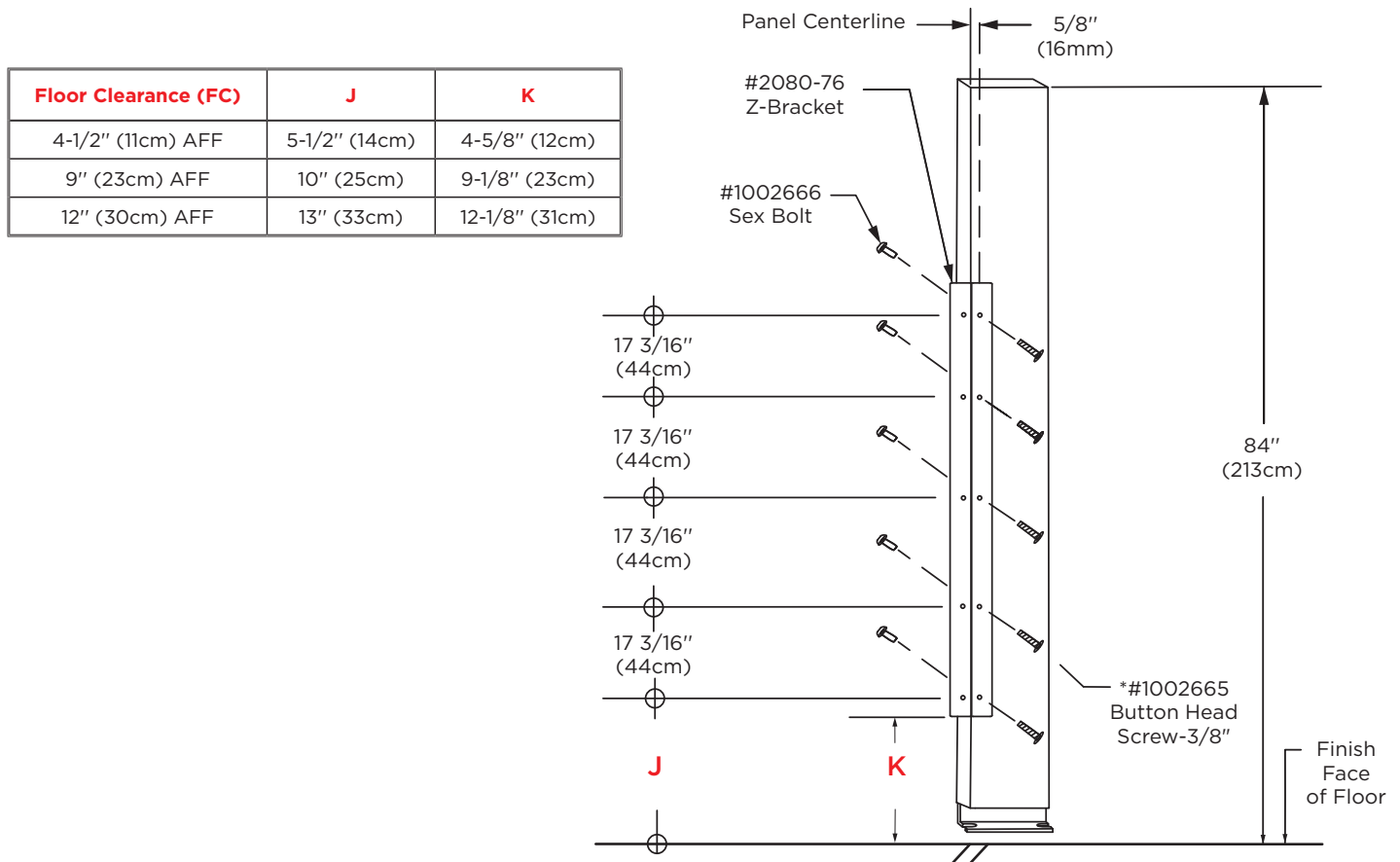
**NOTE: Panel side of Z-Bracket will be secured with #1002664 Button Head Screw - 3/8".**

- Repeat above steps for all stiles mounting to inline panels.

### Hints/Notes:

- 17/64" (6.7mm) through-drilled hole needed to through-bolt brackets-to-stiles using #1002665 Button Head Screws and #1002666 Sex Bolts.

**Fig. 6b: Installing Z-Bracket to Stile for Overhead-Braced or Floor-to-Ceiling. (for Inline Panels)**



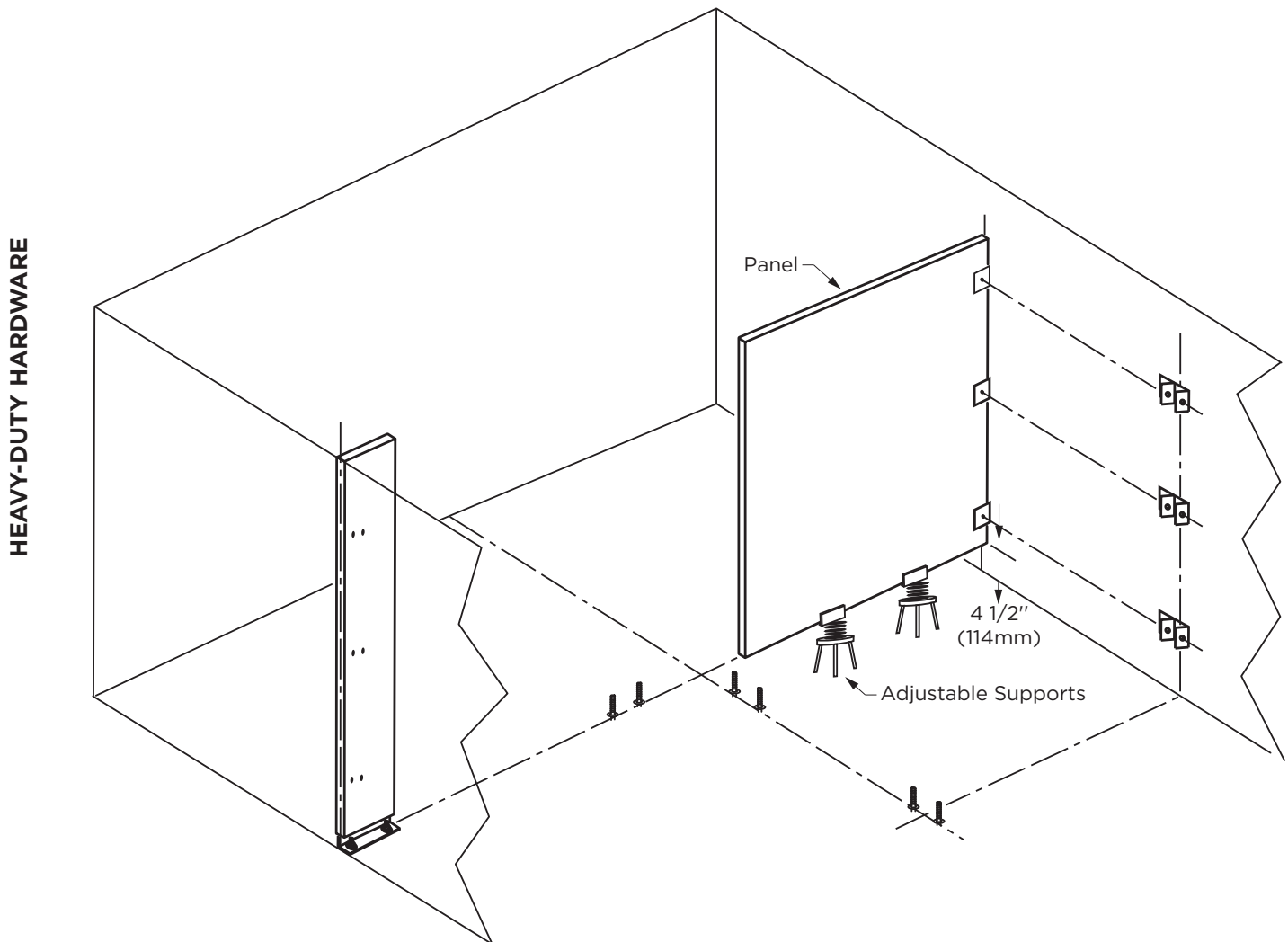
## STEP 7 POSITION PANEL

- A. Place adjustable supports in position to hold panel 4 1/2" (114mm) above the floor.
- B. Place panel on the adjustable supports. Slide panel into the #1000975 F-Brackets attached to wall. **Note:** Do not secure panel to F-Brackets on wall at this time.

**Part Needed:**

- Panel
- 2 Adjustable Supports

**Fig. 7a: Positioning Panel with Adjustable Supports - Front View**



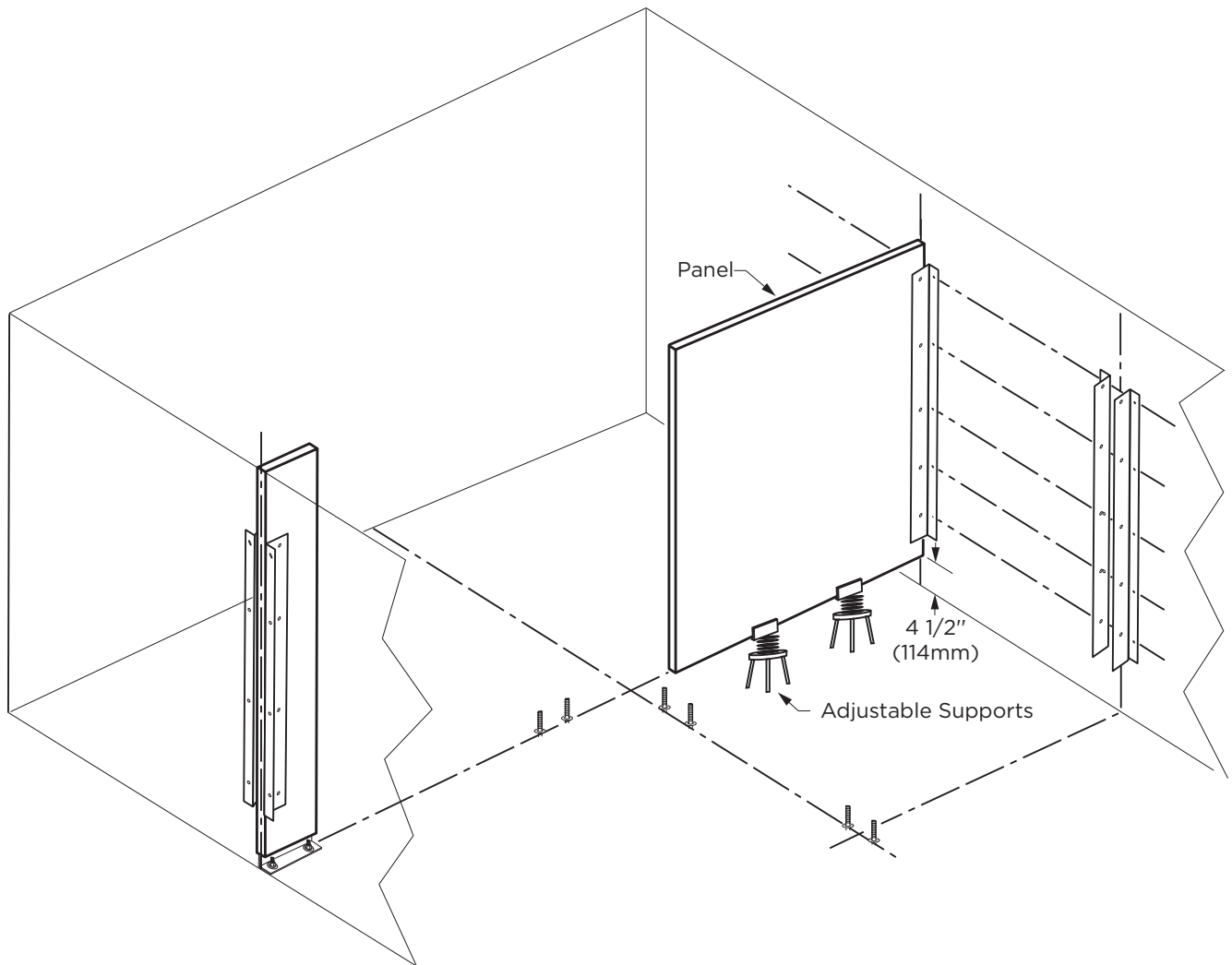
## STEP 7 POSITION PANEL

- A. Place adjustable supports in position to hold panel 4 1/2" (114mm) above the floor.
- B. Place panel on the adjustable supports. Slide panel into the #1002387 Angle Brackets attached to wall. **Note:** Do not secure panel to Angle Brackets on wall at this time

### Part Needed:

- Panel
- 2 Adjustable Supports

Fig. 7a: Positioning Panel with Adjustable Supports- Front View



INSTITUTIONAL HARDWARE

## STEP 8 INSTALL ADJACENT STILE

- A. Set leveling bar of stile on top of Flat Washers of adjacent set of Floor Anchors.
- B. Level stiles by placing length of #1002385 Headrail over two adjacent stiles.
- C. Level stile by tightening/loosening second Hex Nut of Floor Anchors.
- D. Add Flat Washer, Lock Washer and Hex Nut to threaded rod of Floor Anchor above leveling bar.
- E. Tighten Hex Nuts with wrench to secure stile in place.
- F. Recheck vertical levelness. Tighten/loosen Hex Nut(s) as necessary.
- G. Level panel horizontally (front-to-back) by raising/lowering adjustable supports and inserting shims at wall. **Note:** Ensure edge of panel is butted up against inline stile.
- H. Using the F-Brackets and Alcove Brackets as templates, drill  $3/16"$  ( $4.7\text{mm}$ ) pilot holes through the panel. **Note:** Do not drill hole through F-Brackets.
- I. Fasten F-Brackets to panel with #1002499 Sheet Metal Screws -  $7/16"$ .
- J. Fasten Alcove Brackets to inline panel with #1002664 Button Head Screws -  $3/8"$  and #1002666 Sex Bolt.

### Parts Needed:

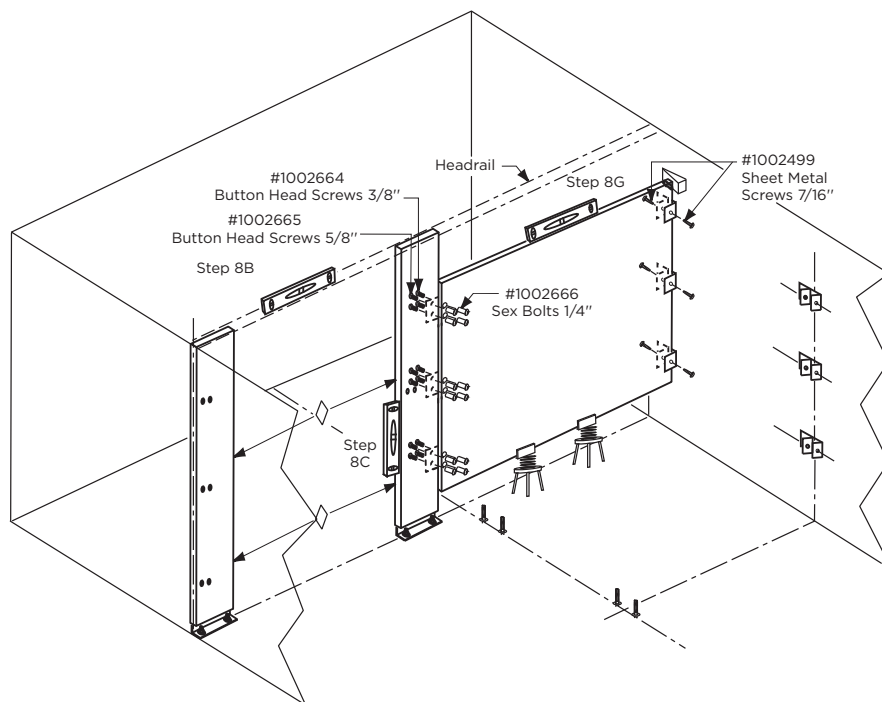
- Stile
- #1002499 Sheet Metal Screws -  $7/16"$
- #1002385 Headrail
- #1002664 Button Head Screw -  $3/8"$
- #1002666 Sex Bolt -  $1/4"$  diameter,  $1/2"$  barrel
- Remaining components of #1002701 Floor Anchor (i.e., Flat Washer, Lock Washer, and Hex Nut)

### Hints/Notes:

- $3/16"$  ( $4.7\text{mm}$ ) pilot hole size needed to fasten brackets-to-panels using #1002499 Sheet Metal Screws. **Note:** Drill completely through material. Do not drill through F-Brackets.

HEAVY-DUTY HARDWARE

**Fig. 8a: Installing Adjacent Stile - Front View**



**Note:** Ensure that actual door opening between stiles matches opening dimensions on Layout Sheets. Verify that physical door will fit in actual door opening before securing Hex Nuts on Floor Anchors.

◇ Obtain dimension from Bobrick Layout Sheet

## STEP 8 INSTALL ADJACENT STILE

- A. Set leveling bar of stile on top of Flat Washers of adjacent set of Floor Anchors.
- B. Level stiles by placing length of #1002385 Headrail over two adjacent stiles.
- C. Level stile by tightening/loosening second Hex Nut of Floor Anchors.
- D. Add Flat Washer, Lock Washer and Hex Nut to threaded rod of Floor Anchor above leveling bar.
- E. Tighten Hex Nuts with wrench to secure stile in place.
- F. Recheck vertical levelness. Tighten/loosen Hex Nut(s) as necessary.
- G. Level panel horizontally (front-to-back) by raising/lowering adjustable supports and inserting shims at wall. **Note:** Ensure edge of panel is butted up against inline stile.
- H. Using the Angle Brackets and Z-Bracket as templates, drill 3/16" (4.7mm) pilot holes through the panel. **Note:** Drill completely through material. Do not drill hole through Brackets.
- I. Fasten Angle Brackets to panel with #1002499 Sheet Metal Screws - 7/16".
- J. Fasten Z-Bracket to inline panel with #1002664 Button Head Screws - 3/8" and #1002666 Sex Bolt.

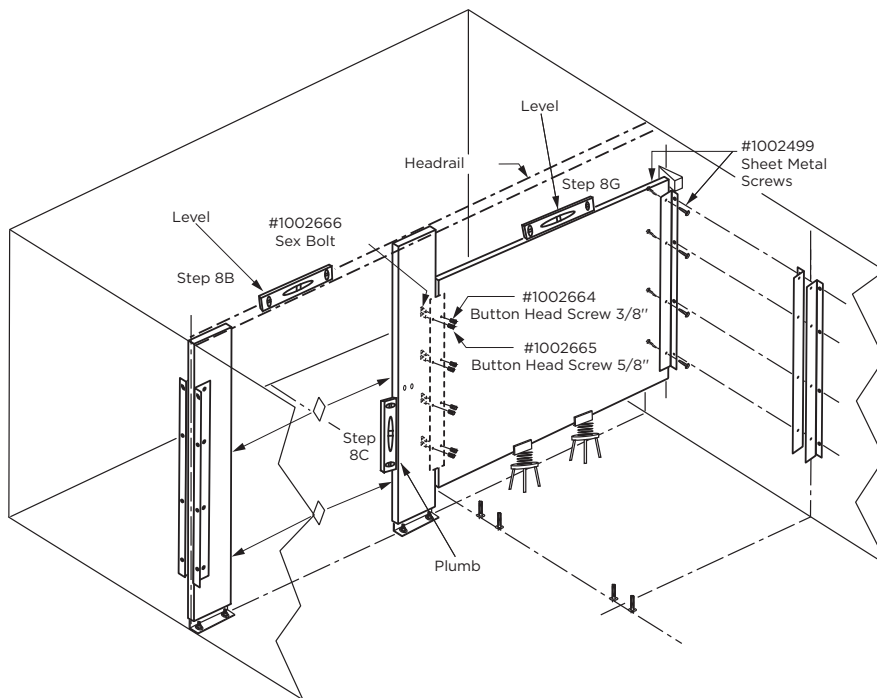
### Parts Needed:

- Stile
- #1002499 Sheet Metal Screws - 7/16"
- #1002385 Headrail
- #1002664 Button Head Screw - 3/8"
- #1002665 Button Head Screw - 5/8"
- #1002666 Sex Bolt - 1/4" diameter, 1/2" barrel
- Remaining components of #1002701 Floor Anchor (i.e., Flat Washer, Lock Washer, and Hex Nut)

### Hints/Notes:

- 3/16" (4.7mm) pilot hole size needed to fasten brackets-to-panels using #1002499 Sheet Metal Screws. **Note:** Drill completely through material.

**Fig. 8a: Installing Adjacent Stile**



◇ Obtain dimension from Bobrick Layout Sheet

**Note:** Ensure that actual door opening between stiles matches opening dimensions on Layout Sheets. Verify that physical door will fit in actual door opening before securing Hex Nuts on Floor Anchors.

## STEP 9 INSTALL ADDITIONAL COMPARTMENT(S)

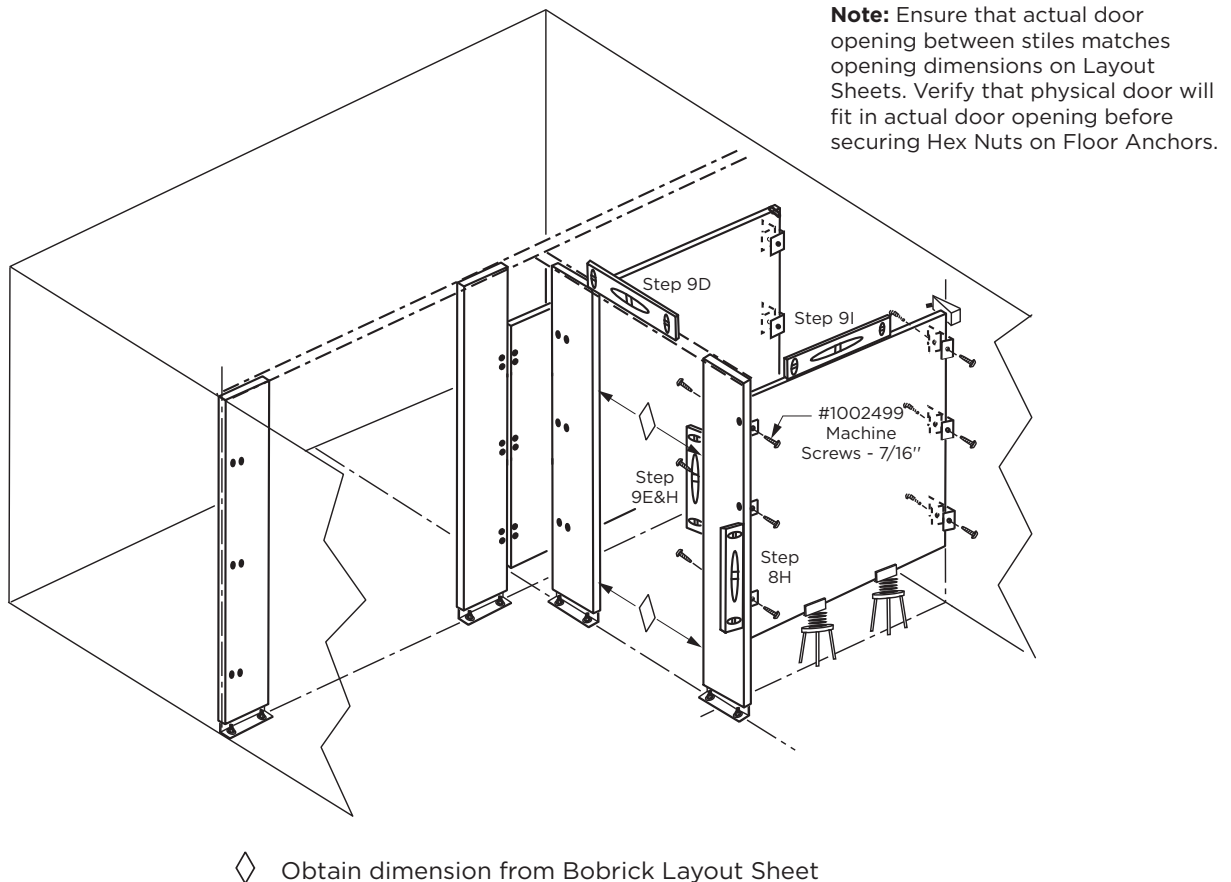
- A. Install and secure stile perpendicular to Alcove Panel with #1000974 Y-Brackets, using #1002664 Button Head Screws - 3/8" and #1002666 Sex Bolts (as shown in **Step 6**).
- B. Position adjacent panel (as shown in **Step 7**).
- C. Set leveling bar of stile on top of Flat Washers of adjacent set of Floor Anchors.
- D. Level stiles by placing length of #1002385 Headrail over two adjacent stiles.
- E. Level stile by tightening/loosening second Hex Nut of Floor Anchors.
- F. Add Flat Washer, Lock Washer and Hex Nut to threaded rod of Floor Anchor above leveling bar.
- G. Tighten Hex Nuts with wrench to secure stile in place.
- H. Recheck vertical levelness. Tighten/loosen Hex Nut(s) as necessary.
- I. Level panel horizontally (front-to-back) by raising/lowering adjustable supports and inserting shims at wall.
- J. Level stile vertically (top-to-bottom) by moving stile forwards/backwards. **Note:** Ensure panel is butted up against screw heads that attach the #1000972 U-Brackets to the stile.
- K. Using the F-Brackets and U-Brackets as templates, drill 3/16" (4.7mm) pilot holes through the panel. **Note:** Drill completely through material. Do not drill hole through F- and U-Brackets.
- L. Fasten F- and U-Brackets to panel with #1002499 Sheet Metal Screws - 7/16".

### Parts Needed:

- Stile
- Panel
- #1002385 Headrail
- #1002499 Sheet Metal Screws - 7/16"
- #1002664 Button Head Screw - 3/8"
- #1002665 Button Head Screw - 5/8"
- #1002666 Sex Bolt - 1/4" diameter, 1/2" barrel
- #1000974 Y-Bracket
- Remaining components of #1002701 Floor Anchor (i.e., Flat Washer, Lock Washer, and Hex Nut)

HEAVY-DUTY HARDWARE

**Fig. 9a: Installing Additional Compartment - Front View**



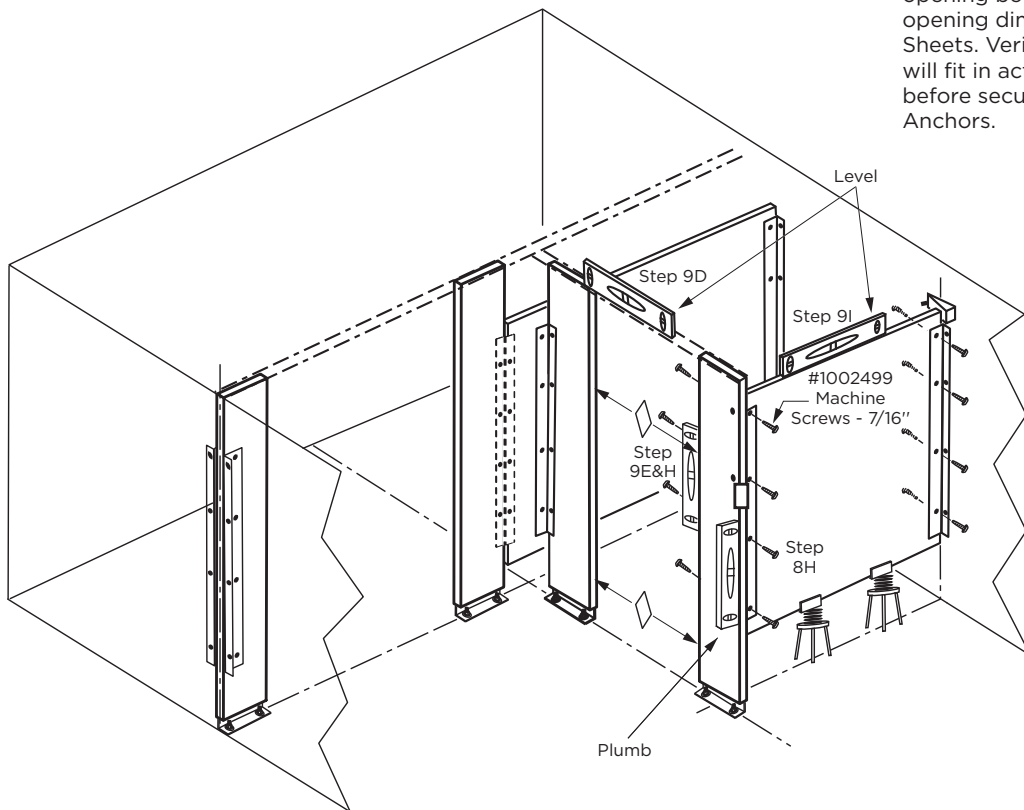
## STEP 9 INSTALL ADDITIONAL COMPARTMENT(S)

- A. Install and secure stile perpendicular to Alcove Panel with #10002387 Angle Brackets, using #1002664 Button Head Screws - 3/8" and #1002666 Sex Bolts (as shown in **Step 6**).
- B. Position adjacent panel (as shown in **Step 7**).
- C. Set leveling bar of stile on top of Flat Washers of adjacent set of Floor Anchors.
- D. Level stiles by placing length of #1002385 Headrail over two adjacent stiles.
- E. Level stile by tightening/loosening second Hex Nut of Floor Anchors.
- F. Add Flat Washer, Lock Washer and Hex Nut to threaded rod of Floor Anchor above leveling bar.
- G. Tighten Hex Nuts with wrench to secure stile in place.
- H. Recheck vertical plumb. Tighten/loosen Hex Nut(s) as necessary.
- I. Level panel horizontally (front-to-back) by raising/lowering adjustable supports and inserting shims at wall.
- J. Level stile vertically (top-to-bottom) by moving stile forwards/backwards. **Note:** Ensure panel is butted up against screw heads that attach the #1002388 U-Channel to the stile.
- K. Using the Angle Brackets and U-Channel as templates, drill 3/16" (4.7mm) pilot holes through the panel. **Note:** Drill completely through material. Do not drill hole through Angle Brackets and U-Channel.
- L. Fasten Angle Brackets and U-Channel to panel with #1002499 Sheet Metal Screws - 7/16".

### Parts Needed:

- Stile
- Panel
- #1002385 Headrail
- #1002499 Sheet Metal Screws - 7/16"
- #1002664 Button Head Screw - 3/8"
- #1002665 Button Head Screw - 5/8"
- #1002666 Sex Bolt - 1/4" diameter, 1/2" barrel
- #1002387 Angle Bracket
- Remaining components of #1002701 Floor Anchor (i.e., Flat Washer, Lock Washer, and Hex Nut)

**Fig. 9a: Installing Additional Compartment - Front View**



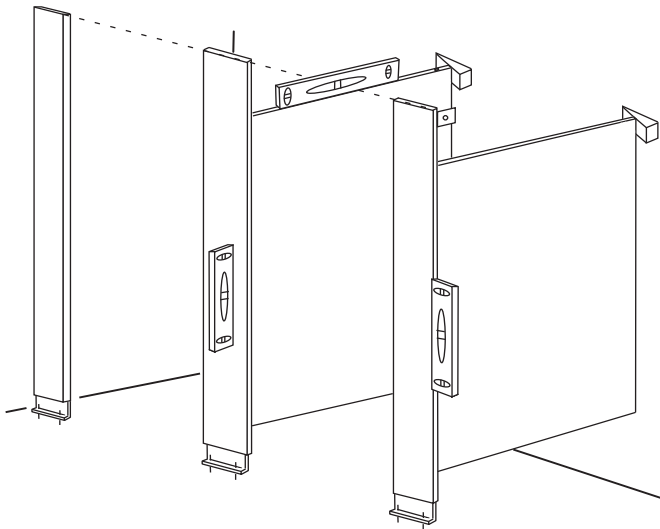
**Note:** Ensure that actual door opening between stiles matches opening dimensions on Layout Sheets. Verify that physical door will fit in actual door opening before securing Hex Nuts on Floor Anchors.

◇ Obtain dimension from Bobrick Layout Sheet

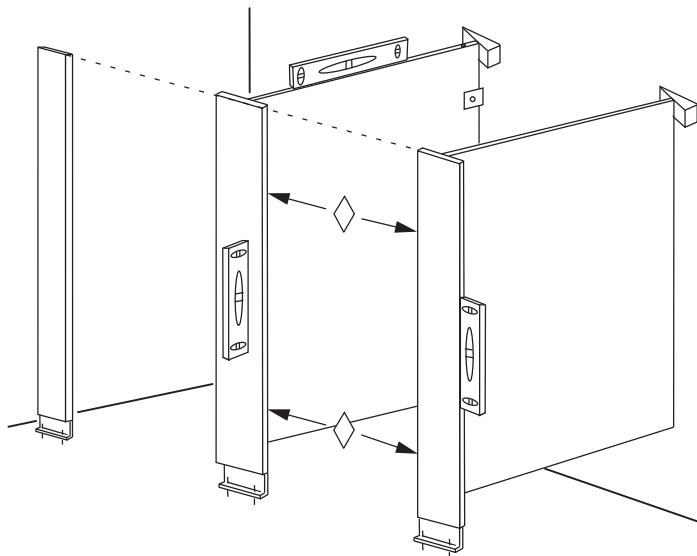
## STEP 10 INSTALL STILES AND SET DOOR OPENINGS

- Place the stiles onto the threaded rods of anchors. Add a flat washer, lock washer, and a third hex nut to each threaded rod of floor anchors (these should already be in place on ceiling anchors—refer back to **Fig. 10a**). Do not tighten hex nuts at this time.
- Insure edge of panel is touching screw heads in brackets on stiles. Using brackets as templates, drill  $3/16"$  x  $7/16"$  ( $4.7$  x  $11$ mm) pilot holes in panel.
- Fasten brackets to panels with #1002499 screws.
- Use level to plumb stiles. Place shims between panels and wall.
- Set door openings to be square, plumb and true per Bobrick layout sheet.
- Tighten hex nuts on stile anchoring system.
- Secure panels to wall brackets using #1002499 screws.

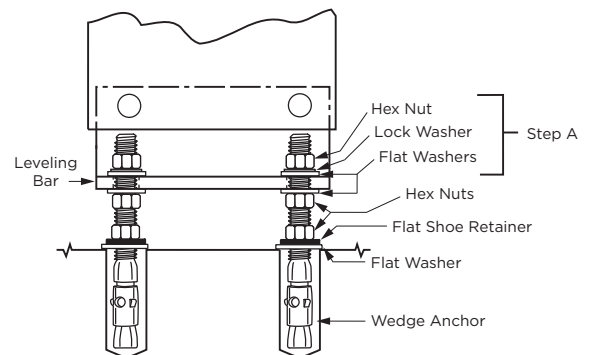
**Fig. 10a: Overhead Braced Installation.**



**Fig. 10b: Floor-Anchored Installation.**



◇ Obtain dimension from Bobrick Layout Sheet



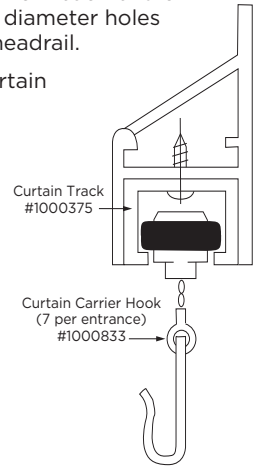


## STEP 11 INSTALL HEADRAIL (IF APPLICABLE)

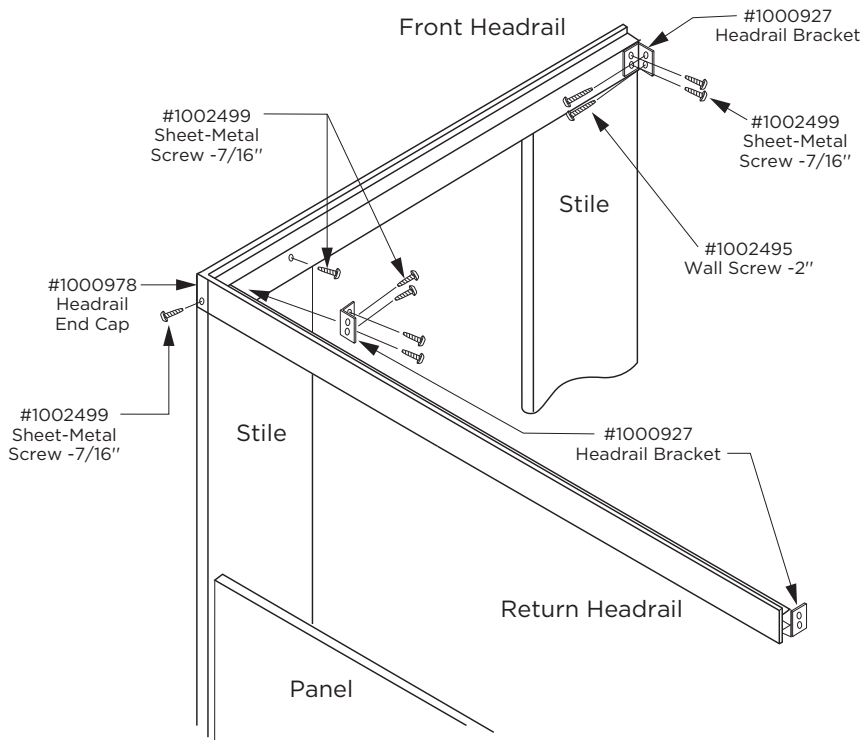
- A. **Note:** Bobrick provides headrail in 84" #1002385 (2134mm) long sections. Headrail seams must be located over stiles.
- B. Measure wall-to-wall dimension less 1/4" (6mm). If it is a corner application, measure from wall to outside edge of stile less 1/8" (3mm).
- C. Place headrail over stile.
- D. For corner and alcove layouts, cut return headrail. Measure from the inside edge of front headrail to the back wall (See **Fig. 11a** and **11b**).
- E. Using the headrail bracket as a template, mark the location for mounting holes in walls and headrails.
- F. Drill 3/16" x 3/4" (4.7 x 19mm) pilot holes into front headrail and stiles; then, at wall locations, drill #19 (.166) x 2" (50mm) pilot holes into adequate wall backing.
- G. Fasten headrail bracket to front headrail with #1002499 screws and to wall with #1002495 screws.
- H. Connect the return headrail to front headrail with headrail bracket and four (4) #1002499 screws.
- I. For corner layouts, install #1000978 end cap to finish the corner. Using the end cap as a template, mark and drill pilot hole, then secure end cap with one (1) #1002499 screw.
- J. Fasten front headrail to stile by drilling pilot hole, then secure to stile with one (1) #1002499 screw.

### Optional Curtain Track:

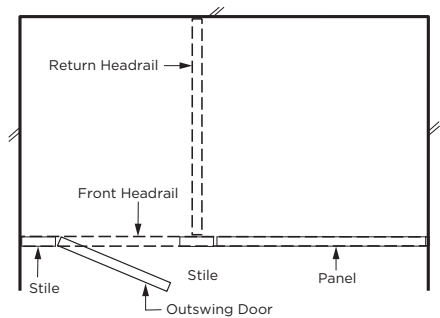
- A. Cut curtain track to fit between stiles and fit inside of headrail.
- B. In the middle of and at 2" (50mm) from each end of the curtain track drill #25 (3.8mm) diameter holes through the curtain track and the headrail.
- C. Install curtain carrier hooks into curtain track.
- D. Fasten curtain track to headrail using #1000937 screws.
- E. Install shower curtain.



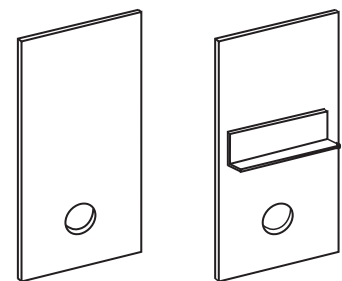
**Fig. 11a: Headrail Installation Hardware. Corner Configuration**



**Fig. 11b: Alcove Configuration.**



**Fig. 11c: Detail of End Cap.**



**Front view**

**Back view**

**#1000978**

# STEP 12 INSTALL DOORS

## Parts Needed:

- #1002330 L-Hinge Set
- #1002331 J-Hinge Set
- #1002156 Hinge Cam
- #1002491 Machine Screw - 1/2"
- #1000900 Allen Wrench - 5/64"
- #1002665 Button Head Screw - 5/8"
- #1002666 Sex Bolt
- #1000869 Clothes Hook
- #1000312 Door Handle Packet (2 Door Pulls)
- #1000418 Accessible Toilet Compartment Label

## For Inswing Doors

- #1040-35 Inswing Keeper for Inline Stiles
- #1040-39 Perpendicular Keeper for perpendicular stiles and walls
- #1040-42 Latch Packet

## For Outswing Doors:

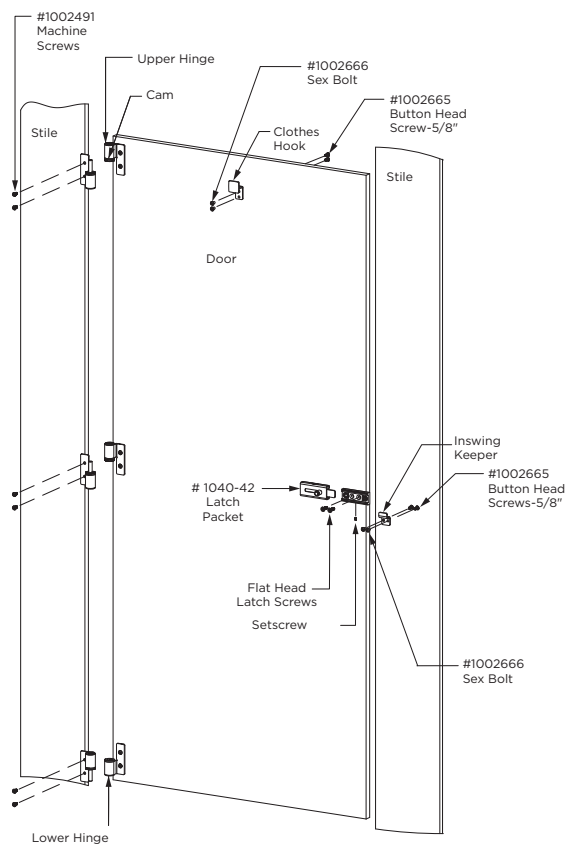
- #1040-39 Perpendicular Keeper
- #1040-36 Outswing Keeper
- #1040-42 Latch Packet

## Hints/Notes:

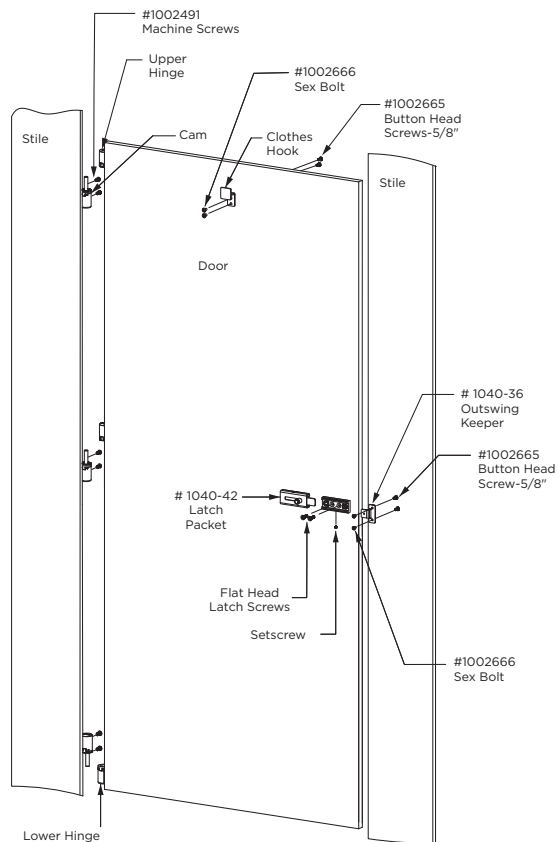
- 17/64" (6.7mm) through-drilled hole needed to through-bolt Keepers-to-stiles and Clothes Hooks-to-doors using #1002666 Sex Bolts and #1002665 Button Head screw.
- 3/16" (4.7mm) through-drilled hole needed to attach Door Handle-to-doors using the fasteners provided in #1000312 Door Handle Packet.

HEAVY-DUTY HARDWARE

**Fig. 12a: Inswing Door Hardware. (example) - Inside View**



**Fig. 12b: Outswing Door Hardware. (example) - Inside View**



# STEP 12 INSTALL DOORS

## DOOR HARDWARE INSTALLATION.

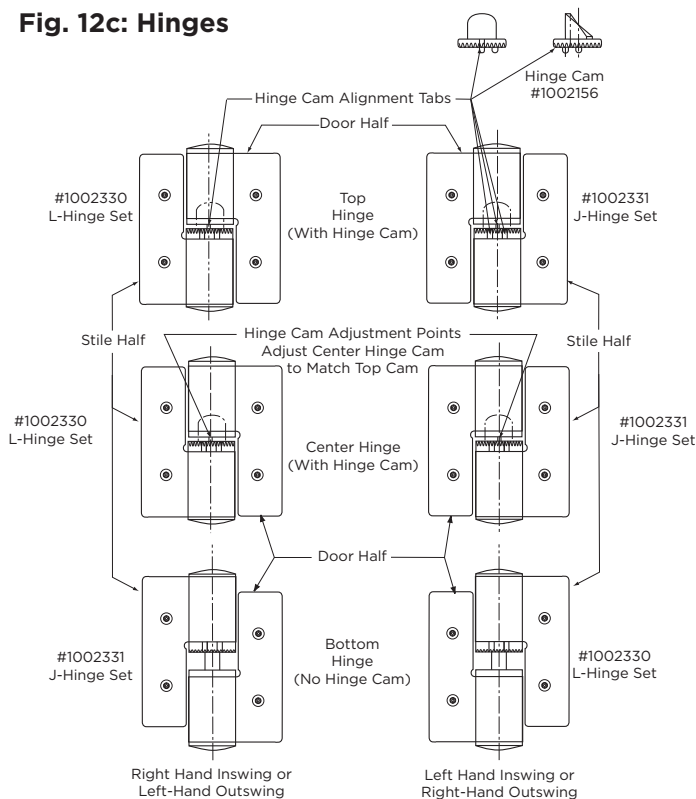
- Using hinge diagram at left, identify the (2) upper and (1) lower hinge set for right hand or left hand installation. Locate cam for upper hinges, #1002156.
- Separate hinge sets and fasten the (3) halves that have plastic bushings with **"teeth"** and cam alignment tabs onto stile using driver and #1002491 (1/4-20 x 1/2") screws. Refer to diagram to ensure **"J"** and **"L"** halves are located properly.
- Fasten (2) upper hinge halves to door.
- Insert (1) hinge pin and (1) #1002156 plastic cam on each of the (2) upper stile hinge halves.
- Lift door and position onto (2) upper stile hinge halves. Door should be hanging securely on upper (2) hinges.
- Insert remaining hinge pin in lower door and mount hinge half to door.
- When the cam has been set at the desired free resting position, "either closed or open" the top of the affixed components will be aligned.

**Tip - Industry tolerance in the hardware will sometimes allow fine alignment adjustments to some partition components. These fine adjustments may be performed by loosening the hardware screws and adjusting the components the direction needed and retightening the screws.**

### To Increase or Decrease Opening of Door.

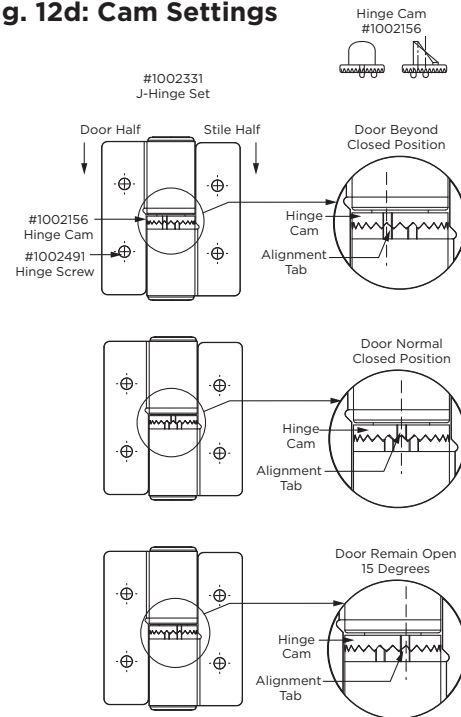
- Alignment tabs have been formed into the cam and plastic hinge bushing.
- Lift door to limit of upward travel (approximately 1/2" (13mm)). While door is lifted, raise cam above bottom bushing and rotate so alignment tabs meet. Ensure both upper hinges are set to same alignment tab.
- To set door in open position, rotate cams toward door opening direction.
- To set door in closed position, rotate cams toward door closing direction.
- Door may not function properly if cam and bushing tabs on both hinges are not aligned properly.

**Fig. 12c: Hinges**



#1002491  
1/4-20 x 1/2" (M6-1 x 13mm)  
Pin-in-Head Torx Screw

**Fig. 12d: Cam Settings**



# STEP 12 INSTALL DOORS

## Door Hardware Installation

- Orient hinge (see **Fig. 12g**).
- Fasten hinge to the door using 7 — #1002491 pin-in-head torx screws.
- Supporting door, fasten hinge to the stile.

### Parts Needed:

- #1002491 Machine Screw - 1/2"
- #1000900 Allen Wrench - 5/64"
- #1002665 Button Head Screw - 5/8"
- #1002666 Sex Bolt
- #1000869 Clothes Hook
- #1002924 Left-Hand Inswing or Right-Hand Outswing
- #1002925 Right-Hand Inswing or Left-Hand Outswing
- #1000312 Door Handle Packet (2 Door Pulls)
- #1000418 Accessible Toilet Compartment Label

### For Inswing Doors

- #1040-35 Inswing Keeper for Inline Stiles
- #1040-39 Perpendicular Keeper for perpendicular stiles and walls
- #1040-42 Latch Packet

### For Outswing Doors:

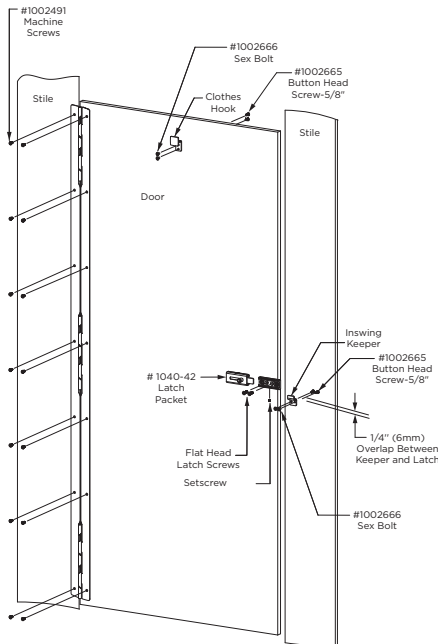
- #1040-39 Perpendicular Keeper
- #1040-36 Outswing Keeper
- #1040-42 Latch Packet

### Hints/Notes:

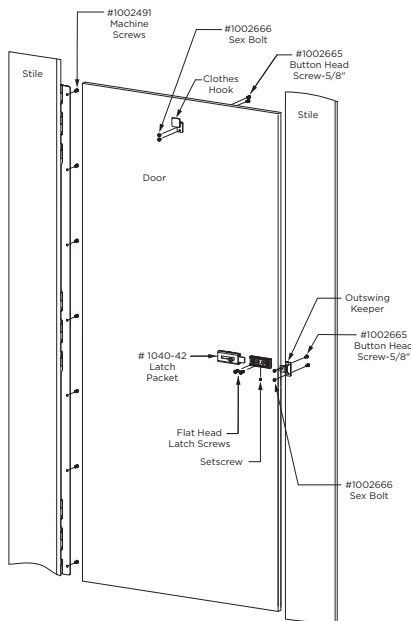
- 17/64" (6.7mm) through-drilled hole needed to through-bolt Keepers-to-stiles and Clothes Hooks-to-doors using #1002666 Sex Bolts and #1002665 Button Head screw.
- 3/16" (4.7mm) through-drilled hole needed to attach Door Handle-to-doors using the fasteners provided in #1000312 Door Handle Packet.

INSTITUTIONAL HARDWARE

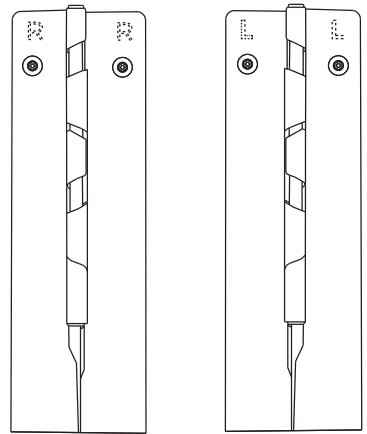
**Fig. 12e: Inswing Door Hardware**



**Fig. 12f: Outswing Door Hardware**



**Fig. 12g: Orient Hinge**



#1002925 Right-Hand Inswing or Left-Hand Outswing  
 #1002924 Left-Hand Inswing or Right-Hand Outswing

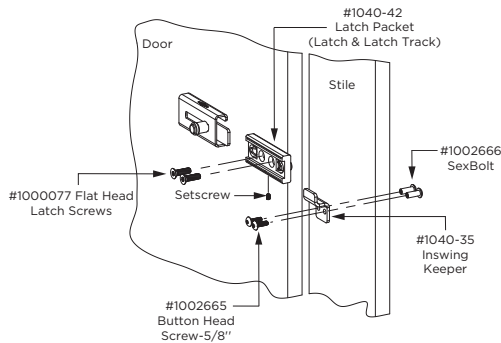


#1002491  
 1/4-20 x 1/2"  
 (M6-1 x 13mm)  
 Pin-In-Head Torx Screw

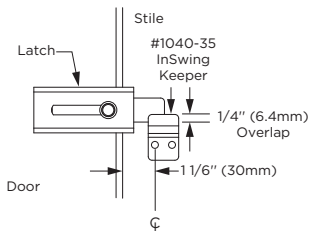
## STEP 13 INSTALL LATCHES AND KEEPERS

- Attach the Latch Track to brass inserts in door with Flat Head Latch Screws using a T25 Pin-in-Head Torx driver.
- Slide the Latch Cover into grooves of Latch Track.
- Secure Latch Cover to Latch Track with Setscrew using #1000900 Allen Wrench.
- Select appropriate Keeper as (see **Fig. 13a - 13d**). Position Keeper and mark mounting hole locations.
- Drill 17/64" (6.7mm) hole through the stile at locations marked.
- Attach Keeper to stile using #1002665 Button Head Screws - 5/8" and #1002666 Sex Bolts. **Note:** Latch track projects past edge of door and acts as doorstop.

**Fig. 13a: Inswing Door Keeper for Inline Stiles.**

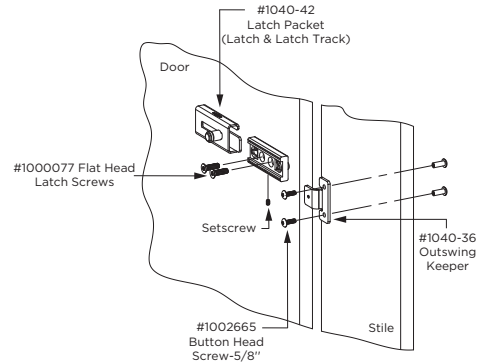


**Side View**

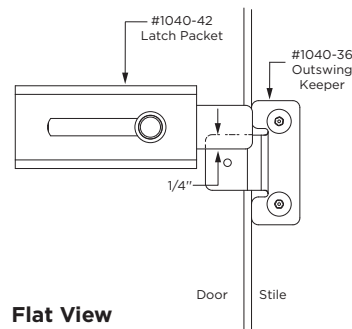


**Note:** Latch track projects past edge of door and acts as doorstop. Flat View

**Fig. 13b: Outswing Door Keeper for Inline Stiles.**

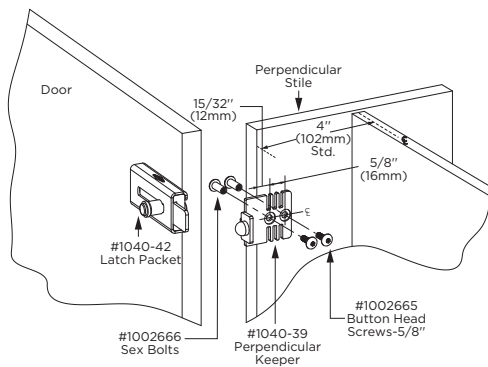


**Side View**



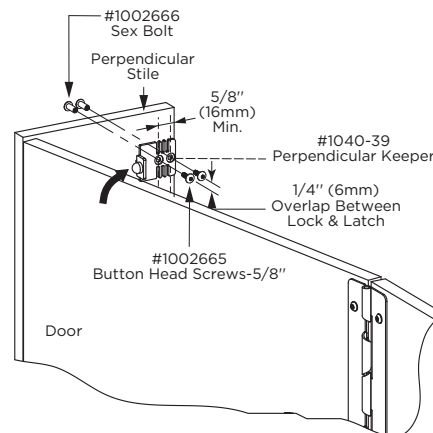
**Flat View**

**Fig. 13c: Inswing Door Keeper for Perpendicular Stiles.**



**Inside View**

**Fig. 13d: Outswing Door Keeper for Perpendicular Stiles.**

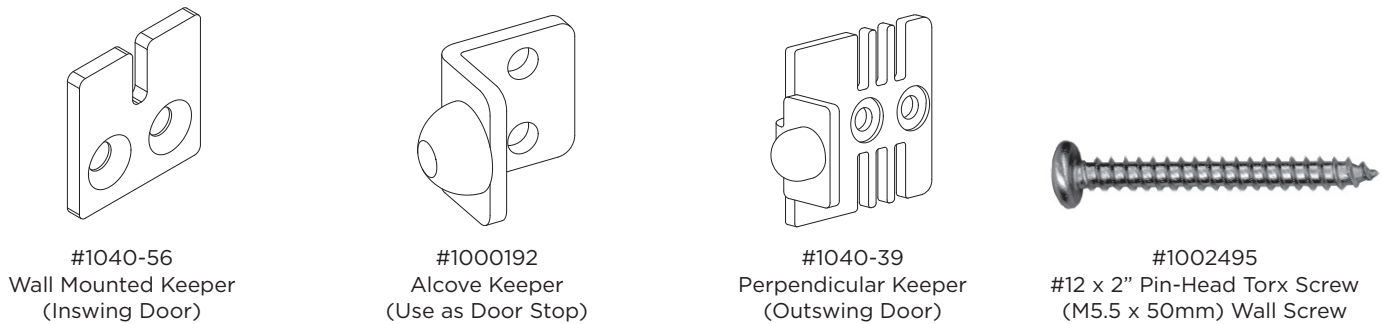


**Outside View**

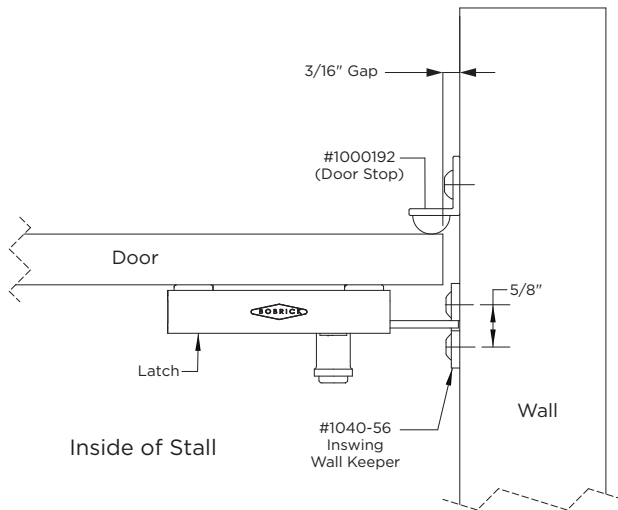
## STEP 14 INSTALL WALL MOUNTED KEEPER

- Set the door to the closed position and verify the door is aligned with the other components, then slide the latch towards the wall.
- Select the appropriate wall mounted keeper (see **Fig. 14a - 14b**). Note: Inswing doors require #1000192 Alcove Keeper on opposite side of door to act as a door stop (see **Fig. 14a**).
- Position keeper on the wall and mark the mounting hole locations. Refer to diagram **Fig. 14a** for Inswing door or **Fig. 14b** for Outswing door.
- Drill pilot holes on marked locations using #19 x 2" (.166x50mm) drill bit.
- Attach the keeper to wall using #1002495 Pin-Head Torx Screw.

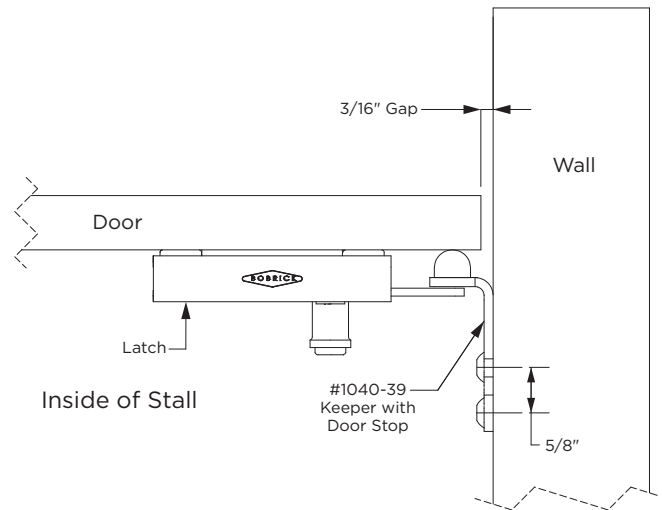
**Pilot Hole Sizes: #19 x 2" (.166x50mm)**



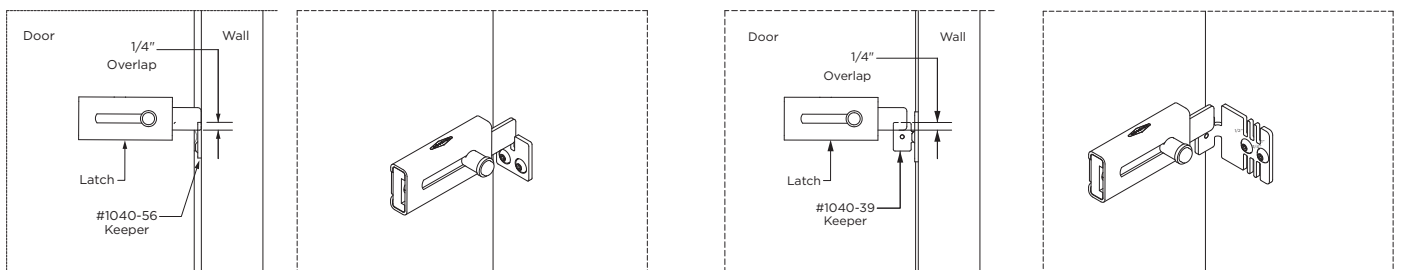
**Fig. 14a: Inswing Door Wall Mount Keeper Installation Detail.**



**Fig. 14b: Outswing Door Wall Mount Keeper Installation Detail.**



**Note:** Inswing doors require #1000192 Alcove Keeper on opposite side of door where the keeper is mounted to act as a door stop.

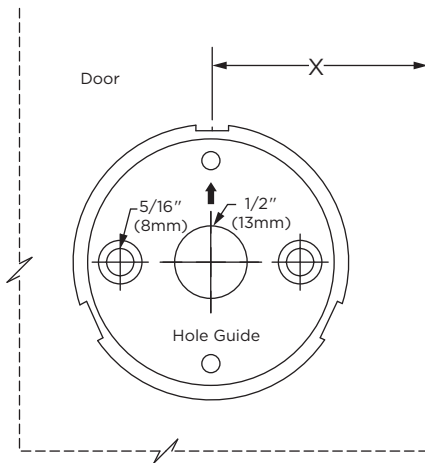


# STEP 15 INSTALL OCCUPANCY INDICATOR LATCH AND KEEPER (IF APPLICABLE)

- A. Use template and table below to locate mounting plate holes.
- B. Drill through center hole using 1/2" (13mm) drill bit.
- C. Drill through two outer holes using 5/16" or 23/64" (8 or 9mm) drill bit.
- D. Attach latch to door per **Fig. 15b** and **Fig. 15c**. Use two 1 3/16" (30mm) screws for 3/4" (19mm) thick doors. Use shorter indicator pin for 3/4" (19mm) material.
- E. Assure red indicator is showing in indicator window, when the latch track is fully engaged.

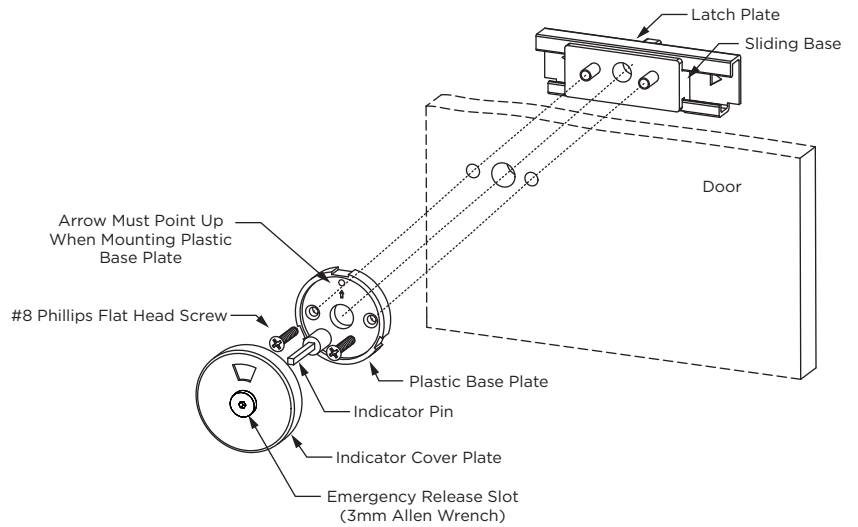
**Note:** Emergency Access - The latch allows the door to be opened from the exterior of the toilet compartment by inserting a 3mm Allen key into the keyhole in the center of the cover plate and turning the key to release the latch.

**Fig. 15a: Occupancy Indicator Latch #10002612**

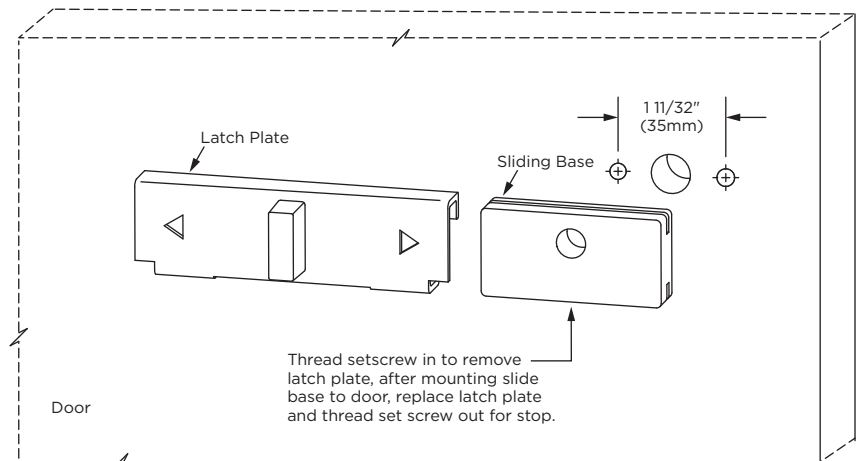


Keeper	X-Dimension
Inline I/S Keeper	1 11/16" (43mm)
Inline O/S Keeper	2 1/4" (57mm)
Alcove I/S Keeper	2 1/16" (52mm)
Alcove O/S Keeper	2 7/8" (73mm)

**Fig. 15b: Occupancy Indicator Latch Packet**



**Fig. 15c: Latch Plate and Sliding Base**



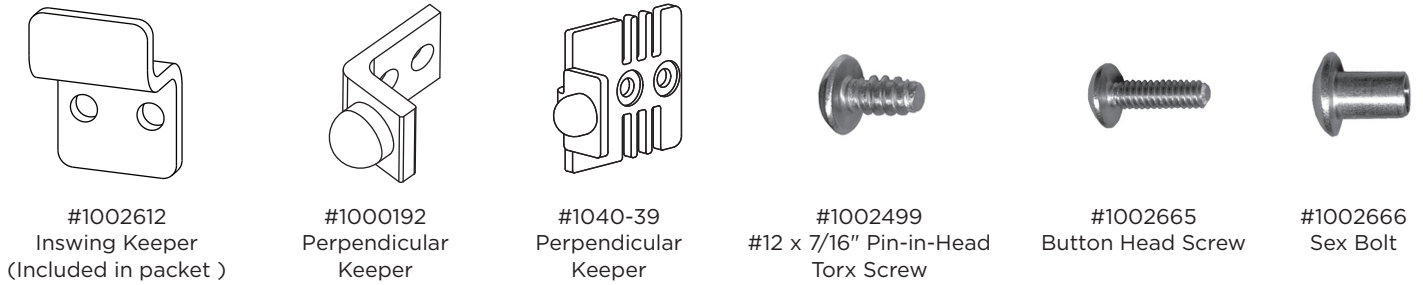
F. Using the keeper as a template, attach keeper per **Fig. 15d, 15e, 15f, or 15g** on keeping stile (inside of stall).

G. Mark and drill 7/16" (11mm) deep pilot hole using a 3/16" (4.7mm) drill bit. **Do not drill through.**

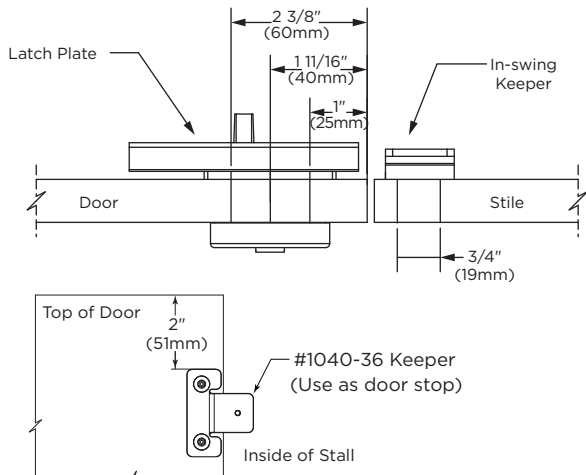
H. Secure keeper to stile using #1002499 Pin-Head Torx Screw.

**Note:** All dimensions are based on a standard gap of 5/32" (4mm).

**Pilot Hole Sizes:** 3/16" x 7/16" (4.7 x 11mm) **Do not drill through.**

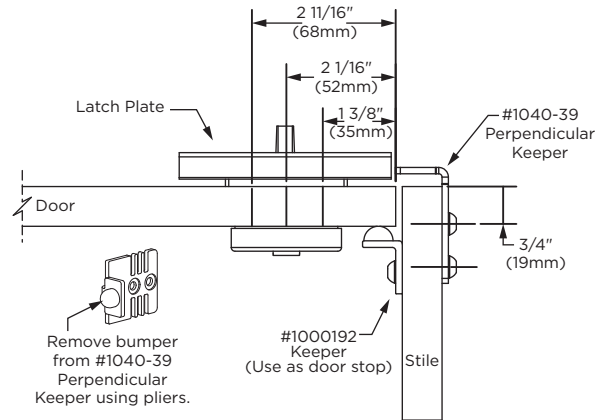


**Fig. 15d: Inline Inswing**



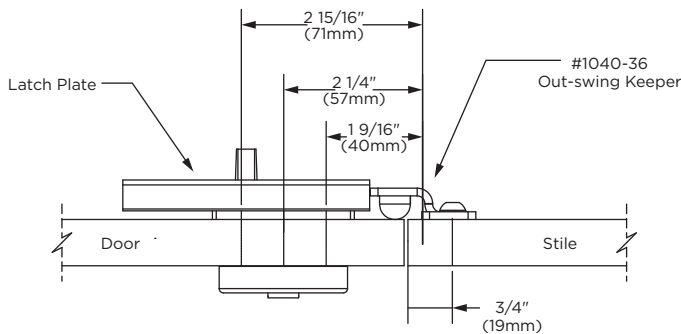
Use two #1002665 Button Head Screw and #1002666 Sex Bolt to attach keepers.

**Fig. 15e: Perpendicular/Alcove Inswing**



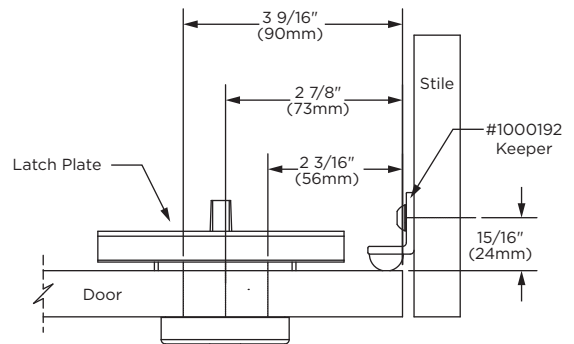
Use two #1002500 Pin-In-Head Torx screws to attach keeper. Use two #1002665 Button Head Screw and #1002666 Sex Bolt to attach #1000192 keeper (use as door stop).

**Fig. 15f: Inline Outswing**



Use two #1002665 Button Head Screw and #1002666 Sex Bolt to attach keeper.

**Fig. 15g: Perpendicular/Alcove Outswing**



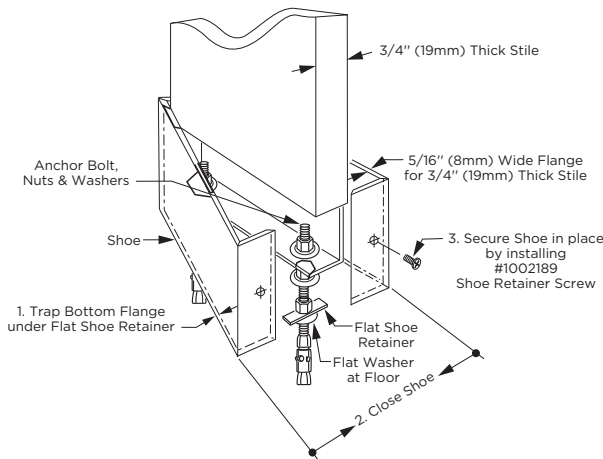
Use two #1002665 Button Head Screw and #1002666 Sex Bolt to attach keeper.



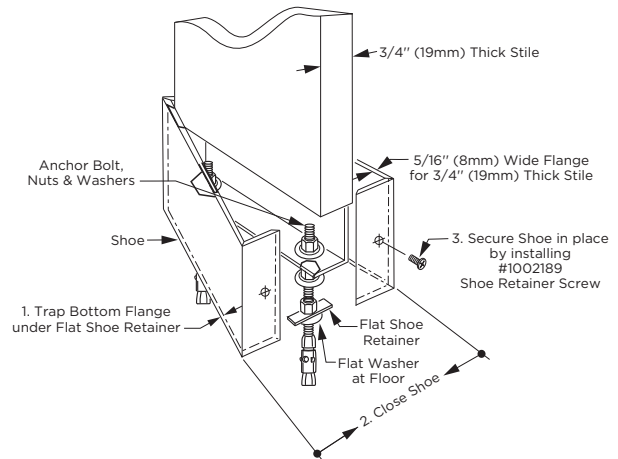
# STEP 16 INSTALL SHOES

- A. Locate proper width shoe for stile.
- B. Confirm shoe retainer (#1002186) is installed on anchor bolt next to flat washer closest to floor or ceiling. For anchor assembly detail, reference diagram on Page 5 of complete installation instruction sheet.
- C. Shoes accommodate 1" (25mm) thick or 3/4" (19mm) thick stiles. For 3/4" (19mm) thick stiles, orient shoe with 5/16" (8mm) wide flange against faces and edge of stile.
- D<sup>(1)</sup>. Standard Stile Installation - See **Fig. 16a**  
 Open end of shoe and slide onto bottom of stile, trapping bottom flange under shoe retainer.  
 Close open end of shoe, overlapping so holes are aligned. Install flat head retaining screw through double thickness of material to close shoe.
- D<sup>(2)</sup>. Stile-to-Wall Installation - See **Fig. 16b**  
 Stile-to-wall shoe retaining clip (#1002185) is supplied with every stile-to-wall. Locate shoe retaining clip.  
 Hold retaining clip by its extended leaf with pliers. Spread shoe open at least one inch and insert retaining clip into hole on inner leaf of shoe until it snaps into place.  
 Open end of shoe and slide onto bottom of stile, trapping bottom flange under shoe retainer. Shoe retaining clip will be positioned against wall.  
 Close edges of shoe together until remaining hole snaps into place on retaining clip.
- E. Remove protective covering and wipe shoe clean.

**Fig. 16a: Standard Stile Installation.**



**Fig. 16b: Stile-to-Wall Installation.**



**Replacement Shoe Guide**

Stile Width	Bobrick Part Number	Stile Width	Bobrick Part Number
3" (76mm)	1002175	10" (254mm)	1002179
4" (102mm)	1002176	12" (305mm)	1002180
5" (127mm)	1002184	16" (406mm)	1002181
6" (152mm)	1002177	18" (457mm)	1002196
7" (178mm)	1002197	20" (508mm)	1002182
8" (203mm)	1002178	24" (610mm)	1002183

## STEP 16

## FINISHING AND CLEANUP

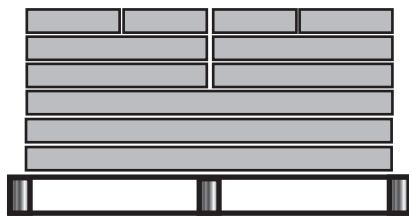
- A. Remove any exposed labels from the components of toilet compartments.
- B. Clean surfaces as needed. **Caution:** Do **not** use cleaners containing acid on Bobrick toilet compartments. For example, tile cleaners containing acid may attack the stainless steel hardware or the material surface. For Bobrick recommendations, refer to Bobrick Form No. TB-21 and TB-60 or use Bobrick Graffiti Remover (Model #891099).

# Important Toilet Partition Storage and Handling Information

Store in a clean, dry area. Do not store outside.  
Move material to installation area 72 hours before installation.  
Always store material flat with weight evenly supported.

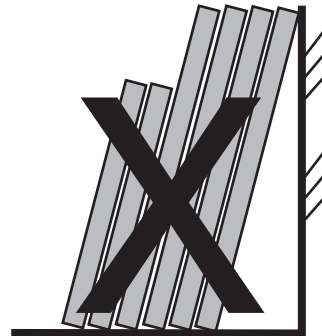
## Toilet Partition Stacking

**Do This**



**Stack Flat**

**Don't Do This**



**Stack Upright**

Failure to follow these instructions may result in warped material which is not covered by Bobrick's warranty.



**In the United States: BOBRICK WASHROOM EQUIPMENT, INC.**

Los Angeles: 6901 Tujunga Ave., North Hollywood, CA 91605-6213; Tel: (818) 982-9600, FAX: (818) 503-1102  
New York: 200 Commerce Drive, Clifton Park, NY 12065-1350; Tel: (518) 877-7444, FAX: (518) 877-5029,  
or e-mail: [customerservice@bobrick.com](mailto:customerservice@bobrick.com)

**In Canada: BOBRICK WASHROOM EQUIPMENT COMPANY**

445 Rolark Drive, Scarborough, Ontario M1R 3B1 • Eastern Canada: Tel: (877) 423-6555 • FAX: (877) 423-8555  
• Western Canada: Tel: (877) 423-6444 • FAX: (877) 423-8444

**2090-69**

Installation Instructions  
2090 Series



BUILDING VALUE SINCE 1906



716954022141